



**Industrial 5-Port Fast Ethernet Switches
with SFP Slot and optional 4 PoE PSE Ports**

Basic Model: KSD-541
PoE Model: KSD-541-P

Installation Guide



DOC.131014

(C) 2008-2013 KTI Networks Inc. All rights reserved. No part of this documentation may be reproduced in any form or by any means or used to make any derivative work (such as translation or transformation) without permission from KTI Networks Inc.

KTI Networks Inc. reserves the right to revise this documentation and to make changes in content from time to time without obligation on the part of KTI Networks Inc. to provide notification of such revision or change.

For more information, contact:

United States KTI Networks Inc.
 P.O. BOX 631008
 Houston, Texas 77263-1008

Phone: 713-2663891
Fax: 713-2663893
E-mail: kti@ktinet.com
URL: <http://www.ktinet.com/>

International Fax: 886-2-26983873
 E-mail: kti@ktinet.com.tw
 URL: <http://www.ktinet.com.tw/>

The information contained in this document is subject to change without prior notice. Copyright (C). All Rights Reserved.

TRADEMARKS

Ethernet is a registered trademark of Xerox Corp.

WARNING:

This equipment has been tested and found to comply with the limits for a Class A digital device, pursuant to Part 15 of the FCC Rules. These limits are designed to provide reasonable protection against harmful interference when the equipment is operated in a commercial environment. This equipment generates, uses, and can radiate radio frequency energy and if not installed and used in accordance with the instruction manual may cause harmful interference in which case the user will be required to correct the interference at his own expense.

NOTICE:


- (1) The changes or modifications not expressly approved by the party responsible for compliance could void the user's authority to operate the equipment.
- (2) Shielded interface cables and AC power cord, if any, must be used in order to comply with the emission limits.

CISPR A COMPLIANCE:

This device complies with EMC directive of the European Community and meets or exceeds the following technical standard.

EN 55022 - Limits and Methods of Measurement of Radio Interference Characteristics of Information Technology Equipment. This device complies with CISPR Class A.

CE NOTICE

Marking by the symbol  indicates compliance of this equipment to the EMC directive of the European Community. Such marking is indicative that this equipment meets or exceeds the following technical standards:

EN 55022: Limits and Methods of Measurement of Radio Interference characteristics of Information Technology Equipment.

EN 50082/1: Generic Immunity Standard -Part 1: Domestic Commercial and Light Industry.

EN 60555-2: Disturbances in supply systems caused by household appliances and similar electrical equipment - Part 2: Harmonics.

Table of Contents

| | |
|--|-----------|
| 1. Introduction | 5 |
| 1.1 Features | 6 |
| 1.2 Product Panels | 6 |
| 1.3 LED Indicators | 6 |
| 1.4 Specifications | 7 |
| 2. Installation | 9 |
| 2.1 Unpacking | 9 |
| 2.2 Safety Cautions | 9 |
| 2.3 Mounting the Switch on a Wall | 9 |
| 2.4 Din-Rail Mounting | 10 |
| 2.5 Panel Mounting | 11 |
| 2.6 Applying Power | 11 |
| 3. Making Connections | 13 |
| 3.1 Making UTP Connections | 13 |
| 3.2 Making Fiber Connection | 13 |
| 3.3 Making PoE Connections | 14 |
| 3.4 LED Indication | 15 |
| 4. Applications | 16 |
| 4.1 Applications with Basic Switch Model | 16 |
| 4.2 Applications with PoE Switch Model | 17 |

1. Introduction

The switches are 5-port Fast Ethernet switches which are featured with four copper ports and one combo port. The combo port comes with one RJ-45 and one SFP slot. The SFP slot can be mounted with a fiber transceiver optionally to support a fiber connection.



For more coming PoE (Power Over Ethernet) applications, the PoE switch model is equipped with PoE design in four copper ports. With proper 48VDC power supply, it is able to deliver power to four PoE PD devices via Cat.5 cables. This guide describes the installation information about two models as follows:

Basic Model Industrial 5-port Fast Ethernet switch with SFP slot

PoE Model Industrial 5-port Fast Ethernet switch with SFP slot and PoE feature

In summary, the switch provides the following advantages:

Plug and Play

No configuration is required in using the switch. With the featured auto-negotiation function, the switch can detect and configure the connection speed and duplex automatically. The switch also provides auto MDI/MDI-X function, which can detect the connected cable and switch the transmission wire pair and receiving pair automatically. This auto-crossover function can simplify the type of network cables used.

Fiber Connectivity

For fiber connection, the SFP slot can be installed with an optional SFP optical fiber transceiver to support one fiber connection when needed.

Power over Ethernet

For PoE applications, four IEEE 802.3af-compliant PoE PSE ports are provided in four copper ports. Each PSE port can deliver +48VDC power to one PoE PD (Powered Device) via the connected Cat.5 cable.

Industrial Features

For industrial environment, the devices are designed with the following enhanced features exceeding that of commercial Ethernet switches:

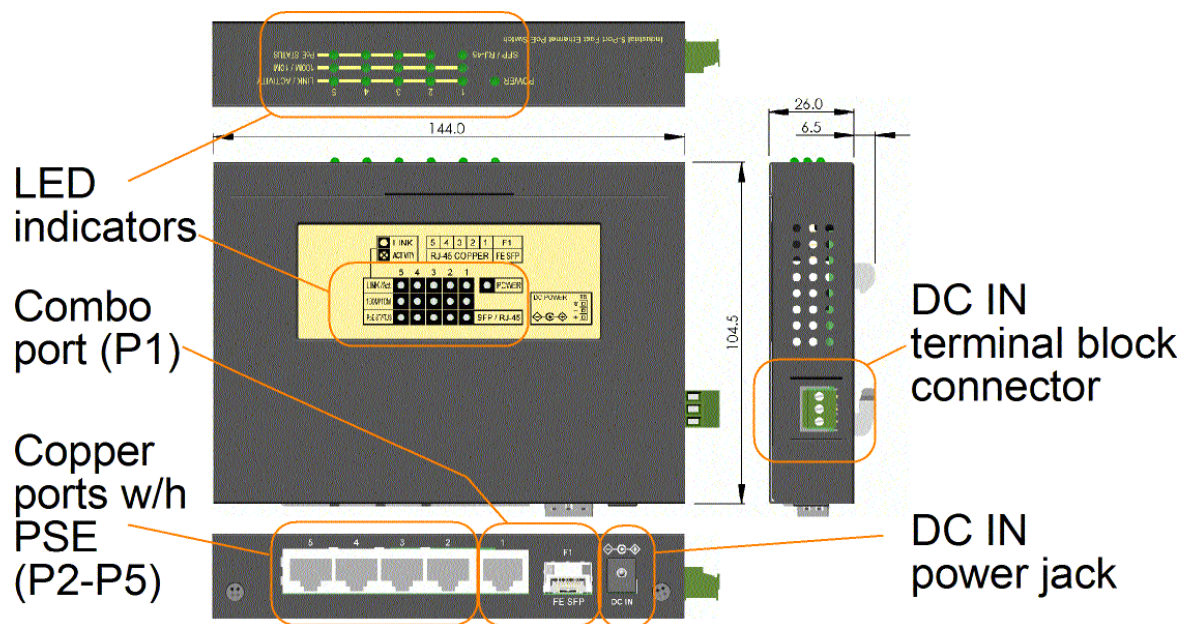
- High and wide operating Temperature
- Power input interface: Industrial screw terminal block and DC power jack for external commercial power adapter as option
- Screw panel and DIN rail mounting support for industrial enclosure
- Industrial-rated Emission and Immunity performance

1.1 Features

- Provides 5 10/100Mbps RJ-45 and one 100Mbps SFP slot
- All copper ports support auto-negotiation and auto-MDI/MDI-X detection
- Provides full wire speed forwarding
- Supports IEEE 802.3x flow control for full-duplex and backpressure for half-duplex
- Provides SFP slot for optional optical fiber connection
- Provides four IEEE 802.3af-compliant PoE PSE ports
- Provides two types of power supply interfaces - DC Jack and terminal block
- Supports stand-alone, wall, Din-Rail, and panel mounting
- Industrial-rated emission and immunity performance

1.2 Product Panels

The following figure illustrates the faces of the switch:



1.3 LED Indicators

| LED | Function |
|------------|---|
| POWER | Power status |
| LINK/ACT | Port link status and activities (Port 1 - Port 5) |
| 100M/10M | Port speed status (Port 1 - Port 5) |
| PoE STATUS | Port PoE power status (Port 2 - Port 5) |
| SFP/RJ-45 | Port 1 SFP / RJ-45 selection status |

1.4 Specifications

Copper Ports w/h PSE (P2-P5)

| | |
|---------------------|--|
| Compliance | IEEE 802.3 10Base-T, IEEE 802.3u 100Base-TX |
| Connectors | Shielded RJ-45 jacks |
| Pin assignments | Auto MDI/MDI-X detection |
| Configuration | Auto-negotiation |
| Transmission rate | 10Mbps, 100Mbps |
| Duplex support | Full/Half duplex |
| Network cable | Cat.5 UTP |
| Power over Ethernet | IEEE 802.3af-compliant PSE (function equipped in PoE Model only) |

Combo Port (P1)

| | |
|---------------------|--|
| Compliance | IEEE 802.3 10Base-T, IEEE 802.3u 100Base-TX/100Base-FX |
| Interface Selection | Fiber is selected if an SFP fiber transceiver is installed in SFP slot |

Copper Interface

| | |
|-------------------|--------------------------------------|
| Connector | Shielded RJ-45 jack |
| Pin assignments | Auto MDI/MDI-X detection |
| Configuration | Auto-negotiation or software control |
| Transmission rate | 10Mbps, 100Mbps |
| Duplex support | Full/Half duplex |
| Network cable | Cat.5 UTP |

Fiber Interface

| | |
|-----------------------|---|
| Connector | SFP slot for optional SFP type fiber transceivers |
| Configuration | 100Mbps, Full duplex |
| Far End Fault Support | Enabled |
| Network cables | MMF 50/125 60/125, SMF 9/125 |
| Eye safety | IEC 825 compliant |

Switch Functions

| | |
|------------------------|---|
| MAC Addresses Table | 1K entries |
| Forwarding & filtering | Non-blocking, full wire speed |
| Switching technology | Store and forward |
| Maximum packet length | 1536 bytes |
| Flow control | IEEE 802.3x pause frame base for full duplex operation Back pressure for half duplex operation |
| Broadcast Storm | Protection design |

Power over Ethernet Function (PoE Model)

| | |
|-------------------------|---|
| PSE Pin 4,5 | Positive of power voltage (Typical 48VDC) |
| PSE Pin 7,8 | Negative of power voltage (Typical 48VDC) |
| Discovery PD resistance | 15K ~ 33K |
| PD Classification | Class 0 ~ 4 |
| Power delivery | 15.4W max. (per port) |
| Protection | Under voltage protection Over voltage protection Over current detection |

DC IN Power Input

| | |
|--------------------------|---|
| Interfaces | DC IN Jack (-D 6.3mm / + D 2.0mm) DC IN Terminal Block (screw type) |
| Operating Input Voltages | +6 ~ 60VDC |
| Power Consumption | 3W max. @7.5V (No PoE output) |
| PoE Function | Operating input voltage: +44V ~ 54V (Typical 48V) |
| DC IN Jack Interfaces | Power jack -D 6.3mm / + D 2.0mm |
| DC IN Terminal Block | Pins: + / - / GND |

Mechanical

| | |
|------------------|--|
| Dimension (base) | 144 x 104.5 x 26 mm |
| Housing | Enclosed metal with no fan |
| Mounting Support | Din-rail mounting, Panel mounting, Wall mounting, Desktop mounting |

Environmental

| | |
|-----------------------|----------------------|
| Operating Temperature | Typical -20°C ~ 70°C |
| Storage Temperature | -20°C ~ 85°C |
| Relative Humidity | 10% ~ 90% |

Electrical Approvals

| | |
|--------|----------------------|
| FCC | Part 15 rule Class A |
| CE | EMC, CISPR22 Class A |
| Safety | IEC60950-1 / EN60950 |

2. Installation

2.1 Unpacking

The product package contains:

- The switch unit
- One product CD-ROM

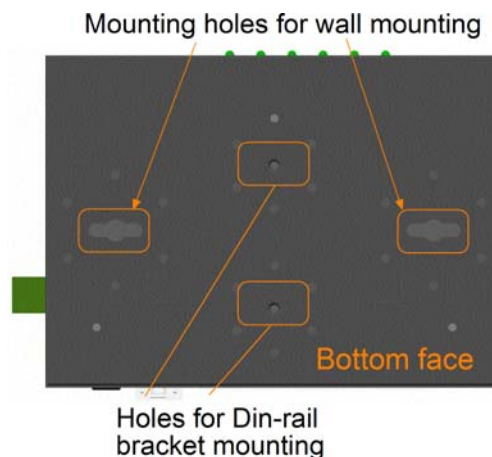
2.2 Safety Cautions

To reduce the risk of bodily injury, electrical shock, fire, and damage to the product, observe the following precautions.

- Do not service any product except as explained in your system documentation.
- Opening or removing covers may expose you to electrical shock.
- Only a trained service technician should service components inside these compartments.
- If any of the following conditions occur, unplug the product from the electrical outlet and replace the part or contact your trained service provider:
 - The power cable, extension cable, or plug is damaged.
 - An object has fallen into the product.
 - The product has been exposed to water.
 - The product has been dropped or damaged.
 - The product does not operate correctly when you follow the operating instructions.
- Do not push any objects into the openings of your system. Doing so can cause fire or electric shock by shorting out interior components.
- Operate the product only from the type of external power source indicated on the electrical ratings label. If you are not sure of the type of power source required, consult your service provider or local power company.

2.3 Mounting the Switch on a Wall

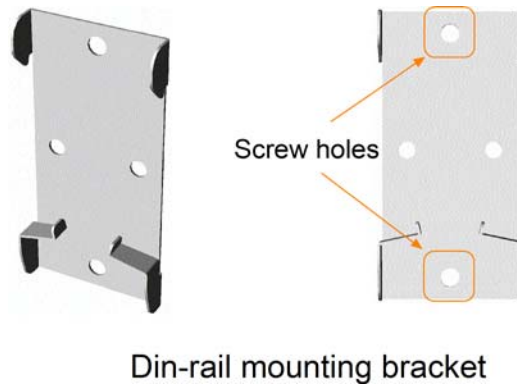
The switch can be mounted on a desktop or shelf or a wall. Make sure that there is proper heat dissipation from and adequate ventilation around the device. Do not place heavy objects on the device.



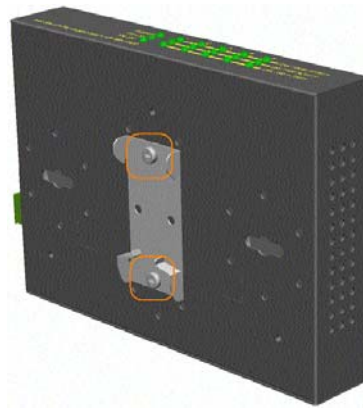
2.4 Din-Rail Mounting

The steps to mount the switch on a Din-rail are:

One Din-rail mounting bracket is provided in the product package as shown below:



Install the bracket on the bottom of the switch unit.

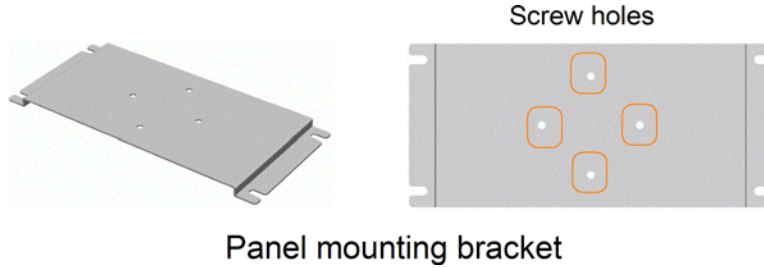


Mount the device on a Din-rail.

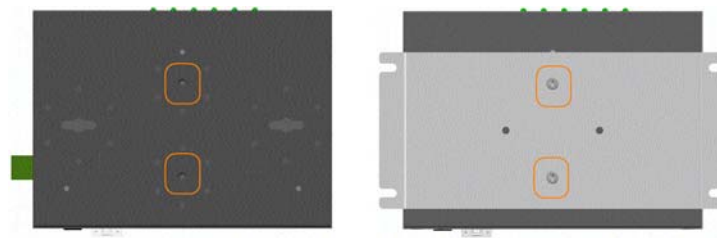


2.5 Panel Mounting

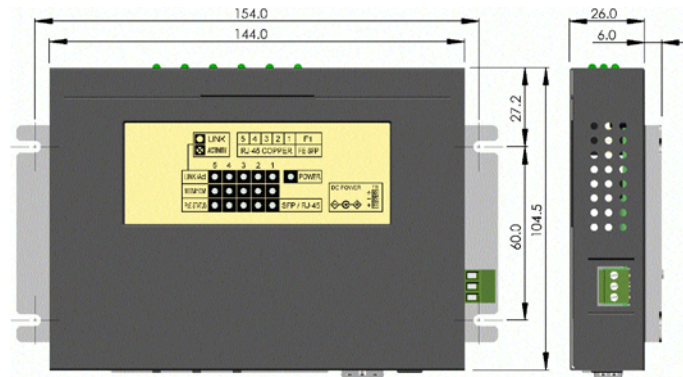
One optional panel mounting bracket is available for purchase as shown below:



Install the bracket on the bottom of the switch unit.

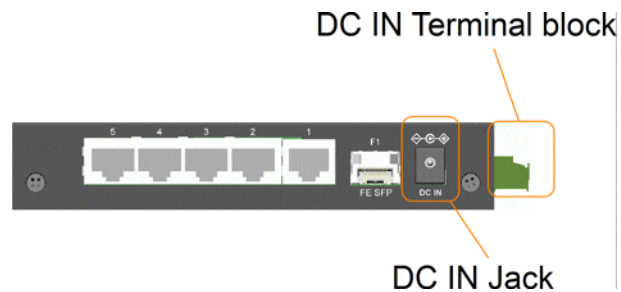


The final dimension after panel bracket is installed is shown below:

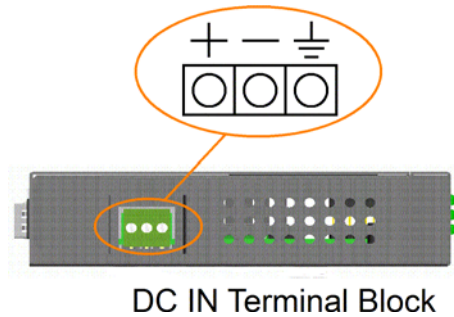


2.6 Applying Power

The switch provides two types of power interfaces, terminal block and DC power jack for receiving DC power input from external power supply system.



Using Terminal Blocks



DC IN Terminal Block

Three terminal contacts are provided:

Vdc Positive (+) terminal

Vdc Negative (-) terminal

Chassis ground

* Working Vdc for general application: +6V ~ +60VDC

* Working Vdc for PoE application : **+44V** ~ +54VDC (Typ. 48V)

One 3P terminal plugs are provided together with the switch. The plug is shown below:

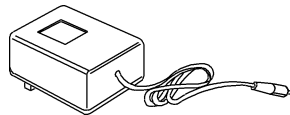


Power wires : 24 ~ 12AWG (IEC 0.5~2.5mm²)

Install the power source wires with the plug properly. Then, plug in the terminal block socket.

Using DC Power Jack

When an external power system is not available, the switch provides a DC jack to receive power from typical AC-DC power adapter alternatively.



AC Power Adapters:

Non-PoE applications

PoE applications

Optional commercial rated adapters are available for purchasing.

Rated output DC7.5V 0.5A / 1A / 1.2A

Rated input 100V ~ 240VAC, Output 48VDC / 24W (About 20-21W is reserved for PoE PDs connected.)

*Note: * Before you begin the installation, check the AC voltage of your area. The AC power adapter which is used to supply the DC power for the unit should have the AC voltage matching the commercial power voltage in your area.*

** For PoE applications, make sure the rated output power meets the required voltage and power consumption required by all connected PD devices. Refer to sec. 3.3 for more information.*

3. Making Connections

3.1 Making UTP Connections

The copper ports support the following connection types and distances:

Network Cables

10BASE-T: 2-pair UTP Cat. 3,4,5 , EIA/TIA-568B 100-ohm

100BASE-TX: 2-pair / 4-pair UTP Cat. 5, EIA/TIA-568B 100-ohm

Link distance: Up to 100 meters

Auto MDI/MDI-X Function

This function allows the port to auto-detect the twisted-pair signals and adapts itself to form a valid MDI to MDI-X connection with the remote connected device automatically. No matter a straight through cable or crossover cable is connected, the ports can sense the receiving pair automatically and configure itself to match the rule for MDI to MDI-X connection. It simplifies the cable installation.

Auto-negotiation Function

The ports are featured with auto-negotiation function and full capability to support connection to any Ethernet devices. The port performs a negotiation process for the speed and duplex configuration with the connected device automatically when each time a link is being established. If the connected device is also auto-negotiation capable, both devices will come out the best configuration after negotiation process. If the connected device is incapable in auto-negotiation, the switch will sense the speed and use half duplex for the connection.

3.2 Making Fiber Connection

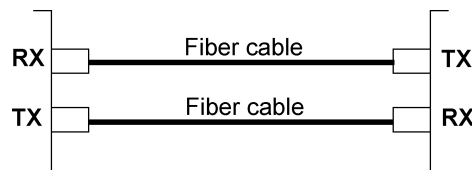
The SFP slot must be installed with an SFP fiber transceiver for making fiber connection. Your switch may come with an SFP transceiver pre-installed when it is shipped.

To install an SFP fiber transceiver into the SFP slot, the steps are:

1. Turn off the power to the switch.
2. Insert the SFP fiber transceiver into the SFP slot. Normally, a bail is provided for every SFP transceiver. Hold the bail and make insertion.
3. Until the SFP transceiver is seated securely in the slot, place the bail in lock position.
4. Turn on the power to the switch.

Connecting Fiber Cables

LC connectors are commonly equipped on most SFP transceiver modules. Identify TX and RX connector before making cable connection. The following figure illustrates a connection example between two fiber ports:



Make sure the Rx-to-Tx connection rule is followed on the both ends of the fiber cable.

Network Cables

Multimode (MMF) - 50/125, 62.5/125

Single mode (SMF) - 9/125

3.3 Making PoE Connections

This section describes how to make a connection between a PSE port and a PoE PD device. For the PoE switch model, Port 2, Port 3, Port 4 and Port 5 are equipped with PoE PSE function. The ports are enabled to deliver power together with network signal to a connected powered device via Cat.5 cable.

To make a PoE connection, the following check points should be noted:

1. For safety reason, the connected PoE PD (Powered Device) must be a IEEE 802.3af-compliant device. Incompliant devices are not supported by the PoE switch model.
2. The Cat.5 cables used for the connections must be 4-pair cables. The power is sent over the spare pairs (4,5) (7,8) of the cable. The maximum distance supported is 100 meters.
3. The DC IN power voltage supplied to the switch must be within the following range to make PoE function working.

DC IN voltage range for PoE applications : +43V ~ +54V

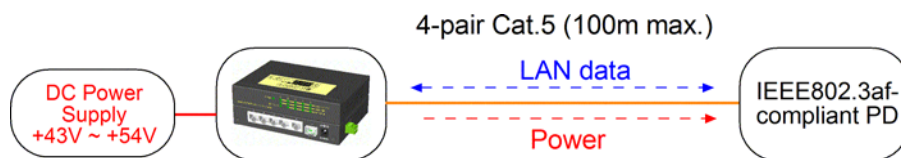
4. The DC IN power supplied to the switch must meet the following calculation:

DC IN power = Sum of all connected PD power required + 3 watts

The PSE ports are equipped with the following capabilities:

1. Detection for an IEEE 802.3af compliant PD.
2. No power is supplied to a device which is classified non-IEEE 802.3af complaint PD.
3. No power is supplied when no connection exists on the port.
4. The power is cut off immediately from powering condition when a disconnection occurs.
5. The power is cut off immediately from powering condition when overload occurs.
6. The power is cut off immediately from powering condition when overcurrent occurs.
7. The power is cut off immediately from powering condition when short circuit condition occurs.

The figure below illustrates a connection example:



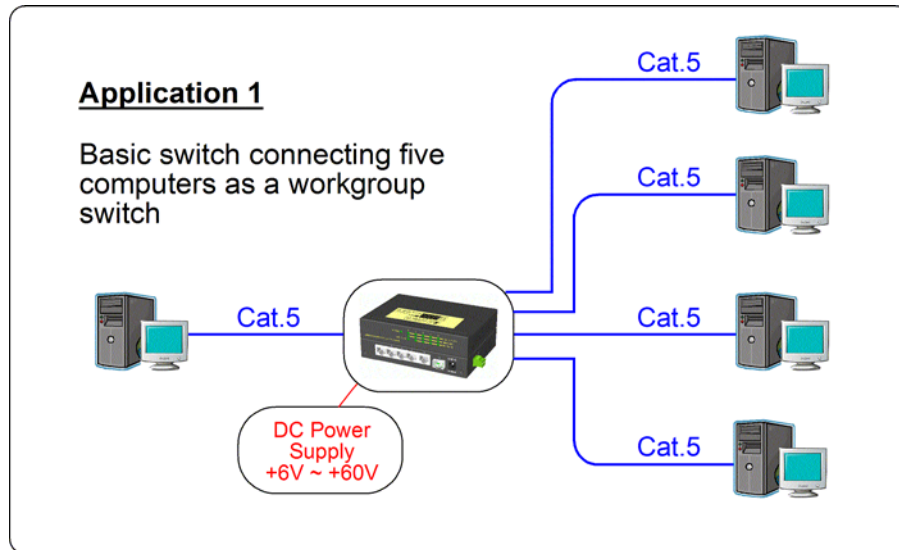
3.4 LED Indication

| LED | Function | State | Interpretation |
|------------|-------------------|-------|--|
| POWER | Power status | ON | The power is supplied to the switch. |
| | | OFF | The power is not supplied to the switch. |
| LINK/ACT | Port link status | ON | A port link is established. (No traffic) |
| | | BLINK | Port link is up and there is traffic. |
| | | OFF | Port link is down. |
| 100M/10M | Port speed status | ON | Speed 100M is selected. |
| | | OFF | Speed 10M is selected. |
| PoE STATUS | Port PoE power | ON | PoE power is delivered on the port. |
| | | OFF | PoE power is shut down. |
| SFP/RJ-45 | Port1 status | ON | SFP is used on Port 1. |
| | | OFF | RJ-45 is used on Port 1. |

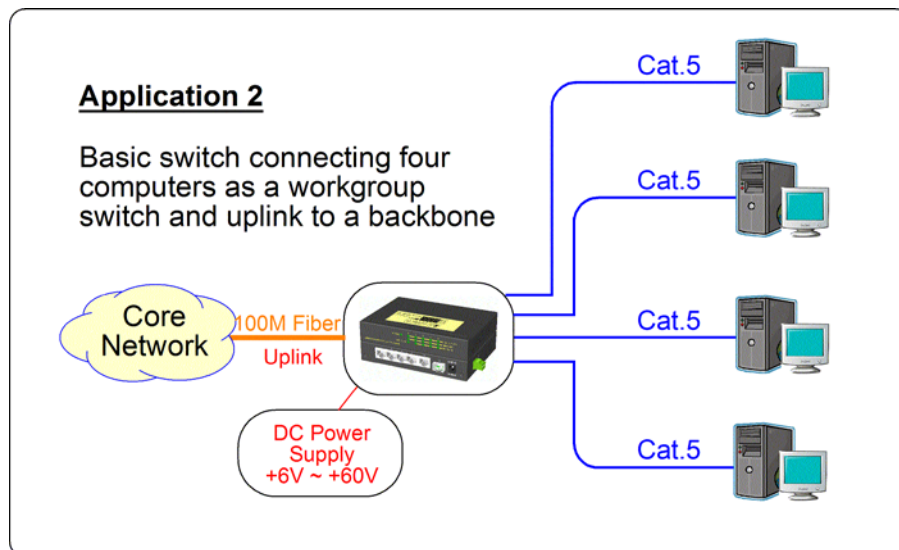
4. Applications

4.1 Applications with Basic Switch Model

The following figure illustrates a basic switch model connects five computers via Cat.5 cables.

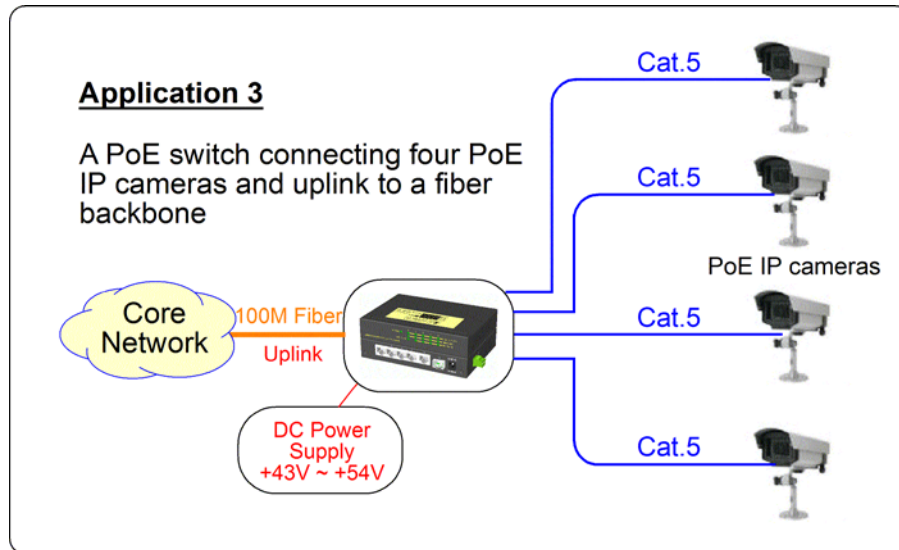


The following figure illustrates a basic switch model connects four computers via Cat.5 cables and uplink to a fiber backbone network.

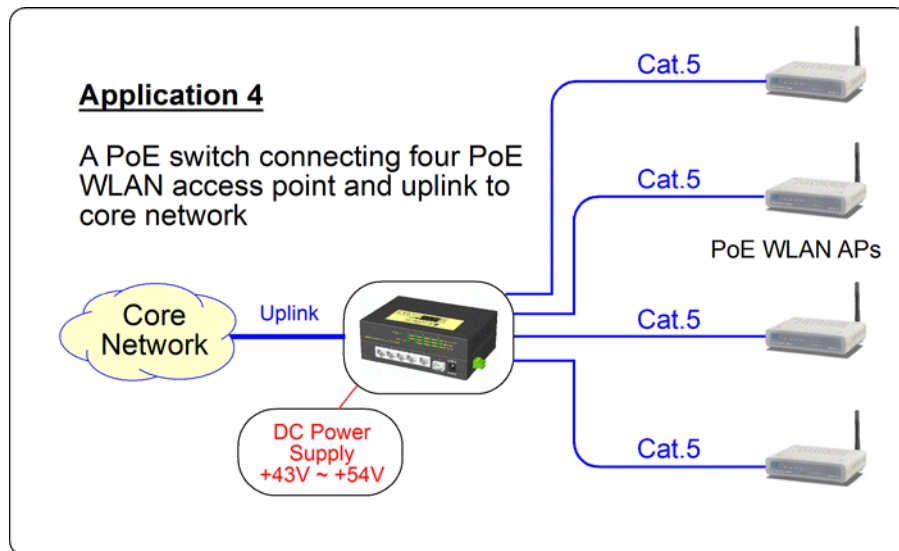


4.2 Applications with PoE Switch Model

The figure below illustrates a PoE switch connects four PoE IP cameras via Cat.5 cables and uplinks to a fiber backbone:



The figure below illustrates a PoE switch connects four PoE WLAN access points via Cat.5 cables and uplinks to a backbone:



The figure below illustrates a PoE switch powered by a 48V DC power adapter connects four PoE media converters via Cat.5 cables and uplinks to a fiber backbone:

