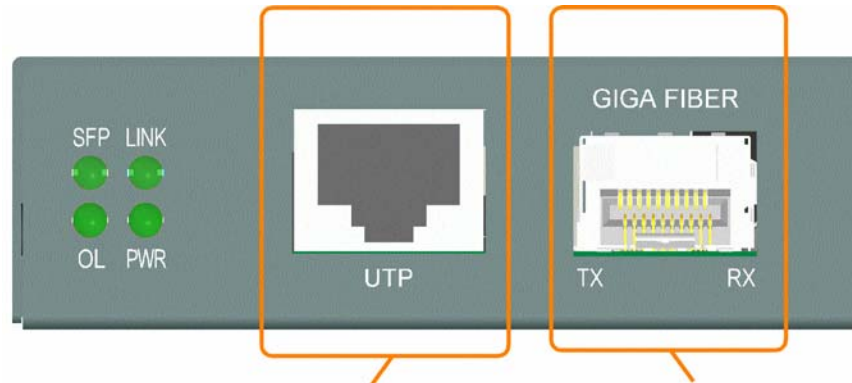


# KGC-352

*PoE-PD-enabled 1000Base-T to  
1000Base-X Gigabit Media Converters*



# Media Conversion



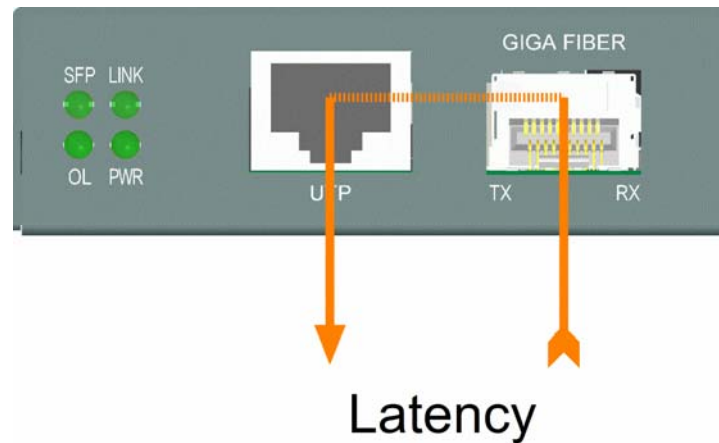
Copper Port (RJ-45)

- 1000BASE-T
- Cat.5 or better

Fiber Port (SFP)

- 1000BASE-SX/LX
- Duplex MMF
- Duplex SMF
- Bi-Di single fiber
- CWDM

# Benefit 1: Direct Conversion



- No bridging conversion
- Direct conversion
- The least latency

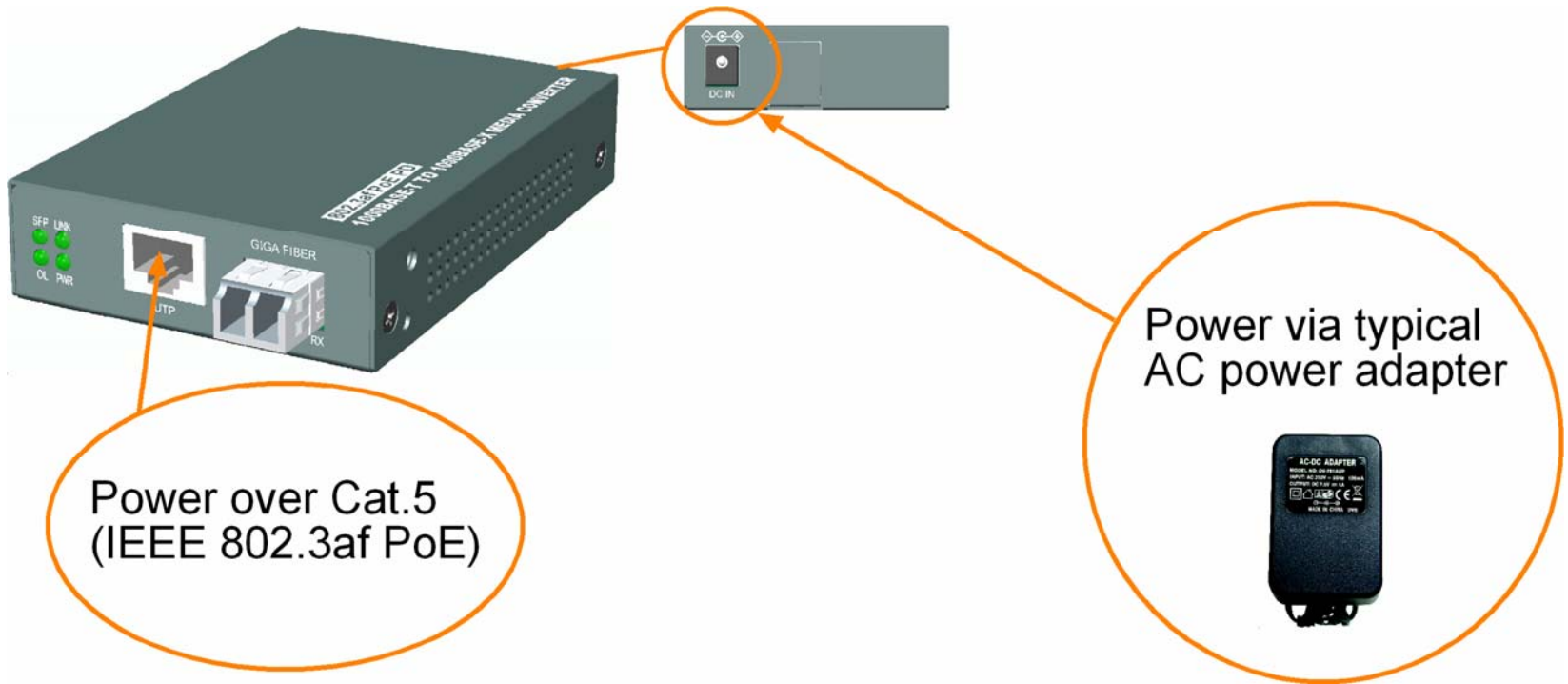
# Benefit 2: SFP Flexibility



## Fiber Options

- Easy migration
- Easy upgrade
- Easy maintenance

# Benefit 3: Two Power Methods

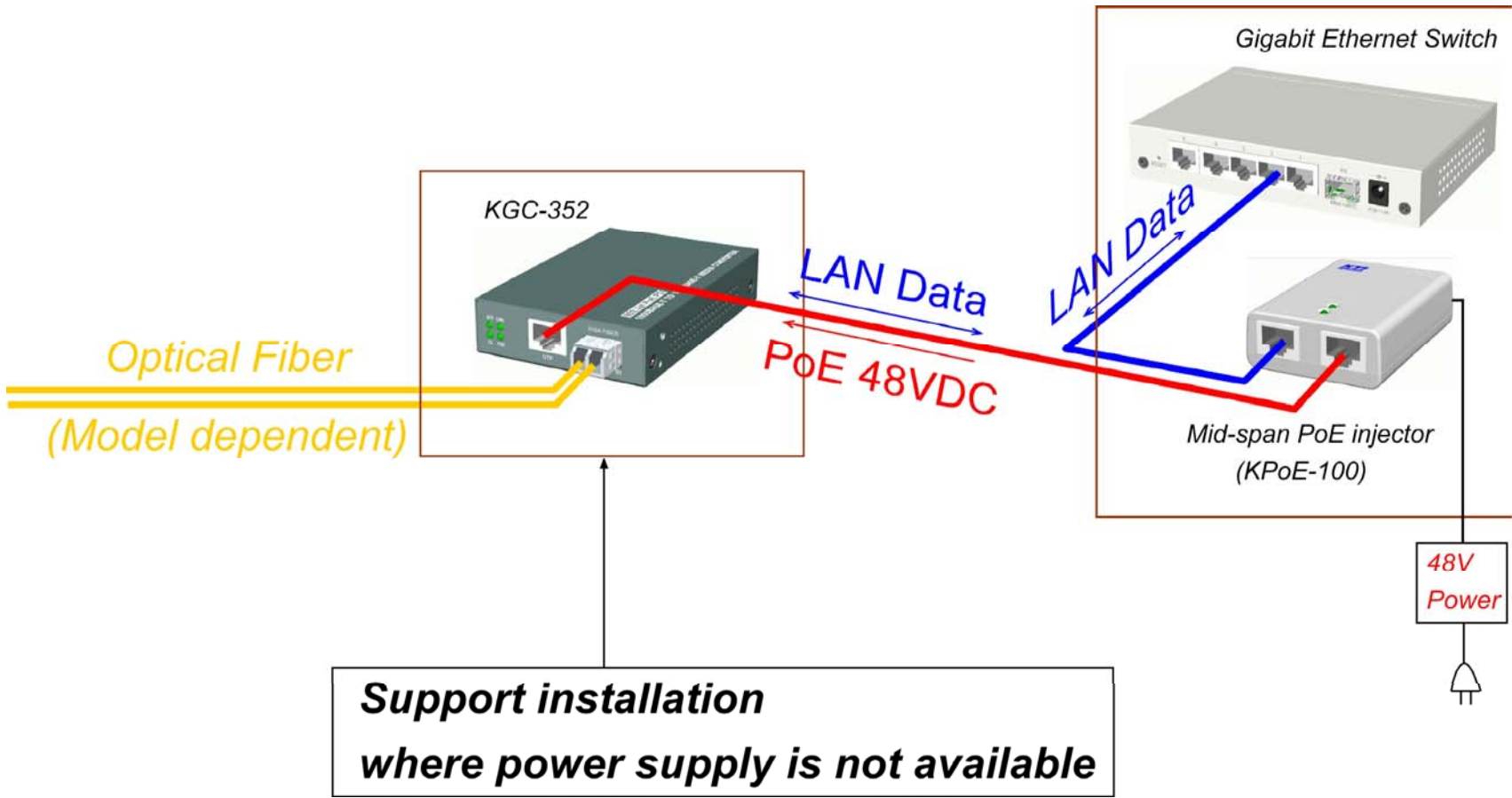


# Benefit 4: IEEE Standard PoE

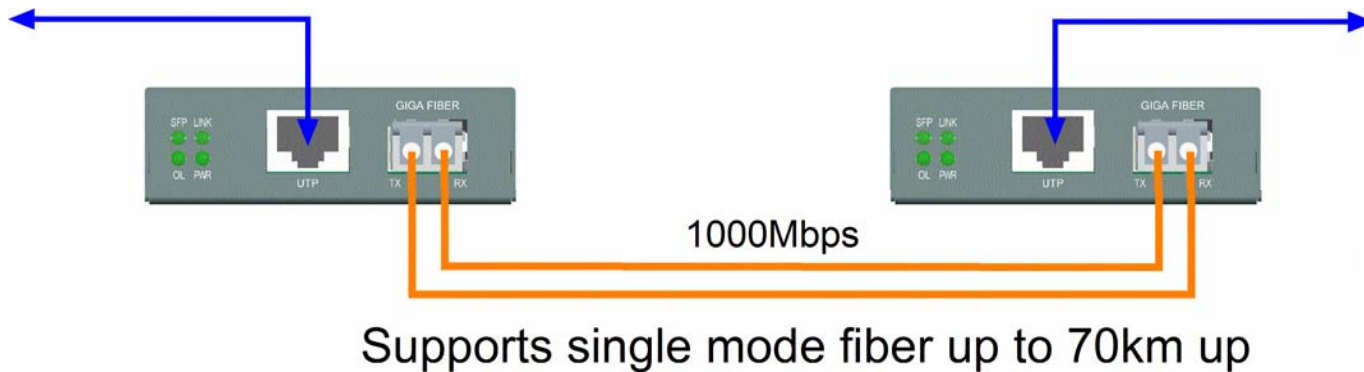


- IEEE 802.3af compliant
- Drawing power from all pairs on Cat.5
- Class 1 power classification
- Inter-operability guaranteed
- Operation safety guaranteed

# Application 1: PoE Installation

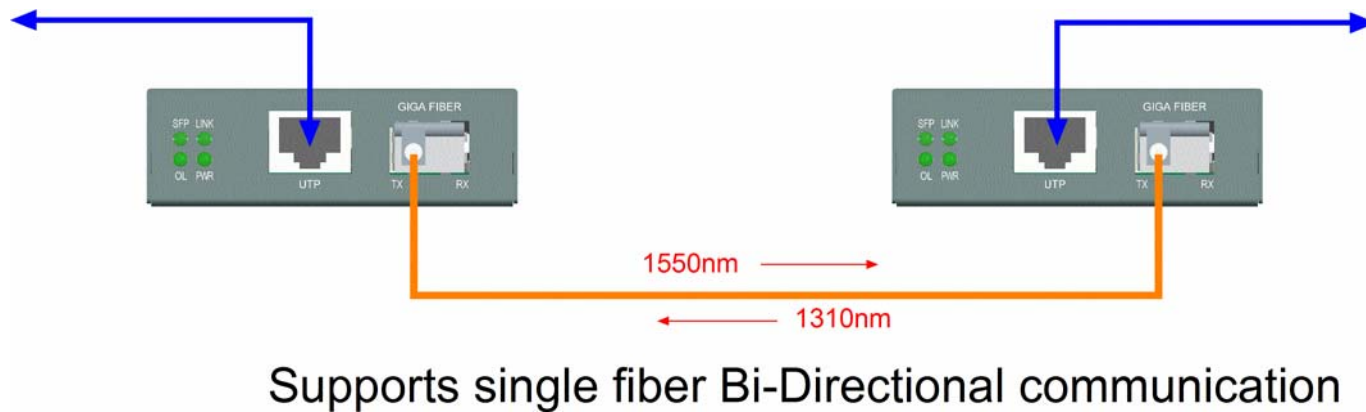


# Application 2: Long Reach SMF





# Application 3: Bi-Di Single Fiber



# Application 4: CWDM

