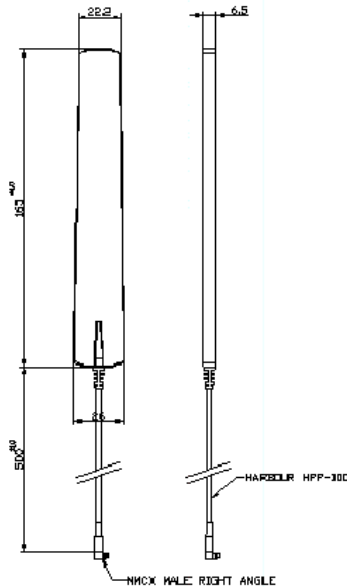


OA-004 2.4 GHz 5dBi OMNI ANTENNA

KTI Omni antenna is a high performance, and yet economical antenna designed for 2.4GHz ISM band. The lightweight antenna is ideally suited for 802.11g/b wireless access points to enhance the effective area of your wireless network.



Type: Flat Omni Antenna

Linear: V & H

Frequency: 2400 – 2483.5 MHz

Impedance: 50 ohm

VSWR 1.5

Gain: 5dBi

Connector: MMCX Male

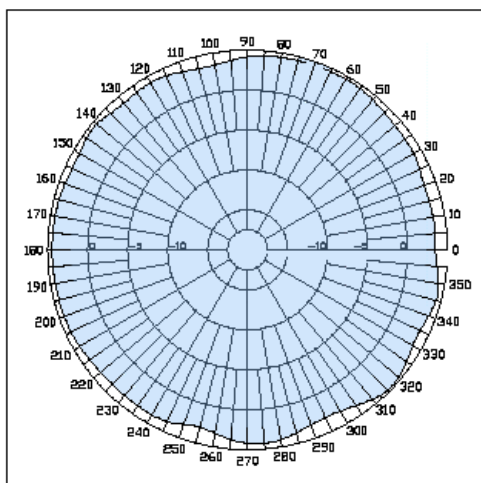
Cable length: 50cm

Diameter: 165 * 26 * 6.5 mm

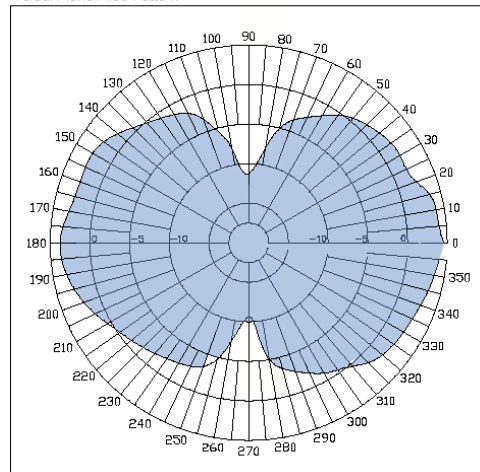
Weight: 32g

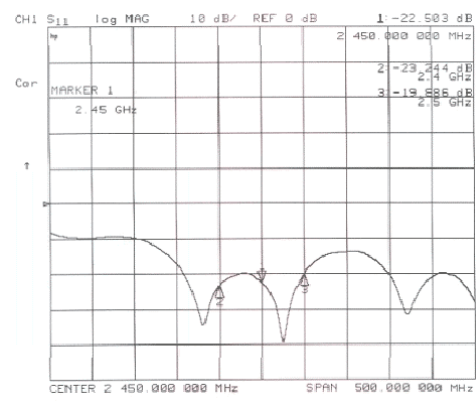
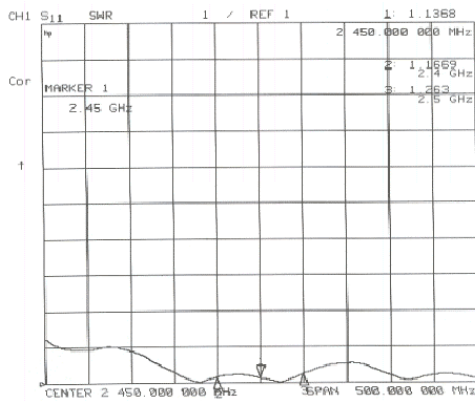
Operation temperature: -30 - +60

Horizontal Plane Filed Pattern



Vertical Plane Filed Pattern





OMNI Antenna Ordering Information		
Model	Description	Gain
OA-001	Omni vertical antenna with female type connector	6 dBi
OA-002	Omni vertical antenna with female type connector	8 dBi
OA-003	Omni vertical antenna with female type connector	12 dBi
OA-004	Omni vertical antenna with MMCX connector	5 dBi
OA-005	Omni vertical antenna with female type connector	10 dBi

Katron Technologies Inc.

15F-7, No. 79, Sec. 1, Hsin Tai Wu Rd;, His-chih, Taipei Hsien, Taiwan, R.O.C.

E-mail: kti@ktinet.com.tw

URL: <http://www.ktinet.com.tw>

Phone: 886-2-2698-3878

Fax: 886-2-2698-3873