



MA-001

2.4GHz 5 dBi Dome (Ceiling) Antenna

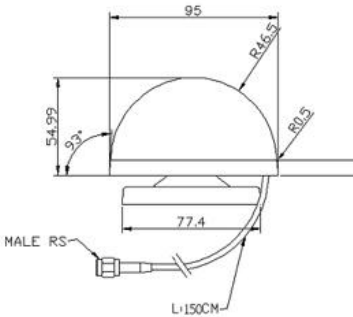
KTI Dome Antenna is designed to enhance sending and receiving wireless signal from the ceiling location promoting the best performance from your Access Point. While capable of offering highly reliable performance, they are yet economical antennas designed for 2.4GHz ISM band, including common 802.11b and 802.11g Access Points.

Key Features

- Solid 5dBi signal enhancement
- Light-weight design
- Enhance wireless signal to extended distance and area
- Designed for 2.4 GHz wireless Access Points
- Durable design for operation in extreme environment

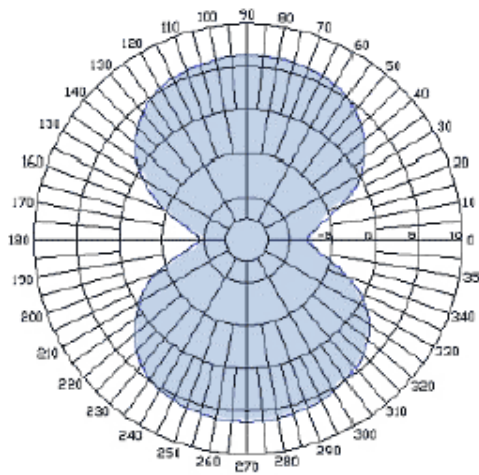
Specifications

Type: Dome Antenna
Linear: V & H
Frequency: 2400 ~ 2483.5 MHz
Impedance: 50ohm
VSWR: Less than 1.5
Gain: 5dBi
Connector: SMA Male Reverse
Power handling: 20 Watt
Dimension: Dia.95 x 55mm
Operation temperature: -30°C ~ +60°C

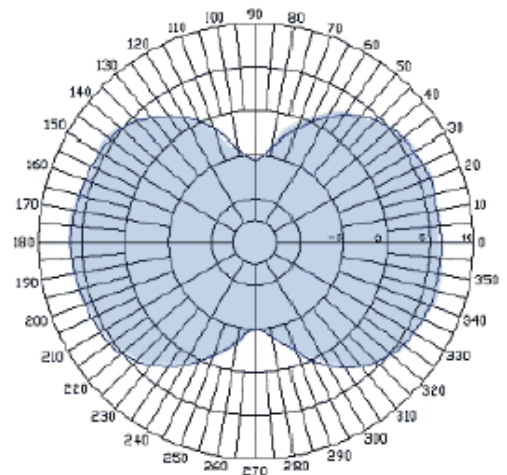


Katron Technologies Inc.
15-7, No.79, Sec. 1, Hsin Tai
Wu Rd., His-Chih, Taipei Hsien.
Taiwan.
Tel: 886-2-2698-3878
Fax: 886-2-2698-3873
E-mail: kti@ktinet.com.tw
URL: <http://www.ktinet.com.tw>

KTI Networks Inc.
7400 Harwin Dr. Suite 120
Houston, Texas, 77036 U.S.A.
Tel: 713-266-3891
Fax: 713-266-3893
E-mail: kti@kti.com
URL: <http://www.ktinet.com>



H-Plane



EPlane