



KGS-1060, KGS-1060-HP



*Security Upgrade
with TLS 1.2/1.3*

Product Highlights:

- Web, telnet, SNMP managed
- IPv6 support
- SFP dual speed support
- SFP DDM support
- Four 802.3at PoE PSE ports
- RSTP, STP, MSTP support
- Multi redundant ring support
- IGMP & MLD snooping
- High power saving
- 802.3az EEE support
- HTTPS with TLS 1.2/1.3 support

Ordering Information:

Part#	Description
KGS-1060	Model with PD support and no PSE function
KGS-1060-HP	Model with four PSE ports
KSD-8PB	Panel mounting kit
KPW-300T	300W Power supply for PoE & PoE+ applications

EMI EMS Safety Environmental Tests:

Test	Standard	Specifications
FCC/EMI	FCC Rule Part 15	Class A
CE/EMC/EMI	EN 61000-6-4	Class A
CE/EMC/EMS	EN 61000-6-2	
ESD Test	IEC 61000-4-2	Air: +/-4KV Contact: +/-8KV
RS Test	IEC 61000-4-3	Strength: 10V/m
EFT/BURST	IEC 61000-4-4	DC IN: +/-0.5KV Signal: +/-1KV
Surge Immunity	IEC 61000-4-5	DC IN: +/-0.5KV Signal: +/-1KV
CS Test	IEC 61000-4-6	Level 3
Magnetic Field Imm.	IEC 61000-4-8	50/60Hz 100A/m
Safety	IEC 60950-1	
Dielectric Voltage	IEEE 802.3	TP, 1500VAC/60sec.
Insulation Resistance	IEEE 802.3	TP, 500VDC/10Mohm
Cold Test	IEC 60068-2-1 Ad	-40°C, 72hrs
Dry Heat Test	IEC 60068-2-2 Bd	+75°C, 30%RH, 72hrs
Damp Heat Test	IEC 60068-2-3 Ca	+75°C, 95%RH, 72hrs
Storage Test	IEC 60068-2-48	-40°C, 96hrs +85°C, 30%RH, 96hrs +85°C, 30%RH, 96hrs
Vibration Test	IEC 60068-2-64 Fh	10-200Hz, 0.1g ² /Hz 200-500Hz, 0.03g ² /Hz
Shock test	IEC 60068-2-27 Ea	50G
NEMA TS2 Vibration test	NEMA TS2-2003 Proc. 2.2.8	5-30Hz, 0.5g xYz, 1hr/axis
NEMA TS2 Shock test	NEMA TS2-2003 Proc. 2.2.9	10G
NEMA TS2 Environment test	NEMA TS2-2003 Proc. 2.2.7	Temp: -34°C--74°C Humid: 0%-90%
NEMA TS2 Vibration test	NEMA TS2-2003 Proc. 2.2.8	25 C/55 C, 95%RH 24hrs, 2 cycles

Industrial Managed 10-Port L2 Gigabit Ethernet Switches with 2 dual-speed SFP Slots and 4 PoE+ PSE Ports

Key Features:

- Eight 10/100/1000Mbps RJ-45 and two dual-speed SFP slots
- All copper ports support auto-negotiation and auto-MDI/MDI-X detection.
- All copper ports are equipped with IEEE 802.3at-compliant PoE PSE
- Full wire speed forwarding
- Support 802.3x flow control for full-duplex and backpressure for half-duplex
- Port link aggregation function with LACP support
- Support SFP with Digital Diagnostic Monitoring (DDM)
- Alternatively powered via PoE if direct DC power not available
- Optional four 802.3at-compliant PoE PSE ports
- Support PoE PSE Redundancy

Management Features:

- Management:
 - HTTP/HTTPS/SSHv2/CLI telnet/CLI console/SNMP v1/v2c/v3/RMON
 - DHCP/DHCPv6 client, DHCP relay, DNS client. NTPv4
 - IPv6 support, System Syslog, Configuration down/upload, Software upload
 - HTTPS with TLS 1.2/1.3 support

- Security:
 - NAS, 802.1X, MAC-based/Web/CLI authentication, TACACS+, IP source guard

- Layer 2:
 - 802.1Q/MAC-based/Protocol-based/Private/IP subnet VLAN, Port Isolation
 - Storm control for UC/MC/BC packets, Static MAC configuration
 - IGMP v2/v3 snooping, MLD v1/v2 snooping, DHCP snooping, Port mirroring
 - Multiple Spanning Tree – MSTP, RSTP, STP
 - QoS - 8 QoS classes, Tag-based & DSCP-based classification

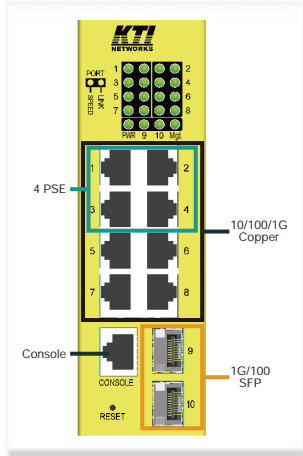
- KTI's Auto Multi-Ring (KAMR) Technology:
 - Fast failover response time, Auto recovery when failure is repaired
 - Support up to five redundant rings, Works with RSTP network

Specifications:

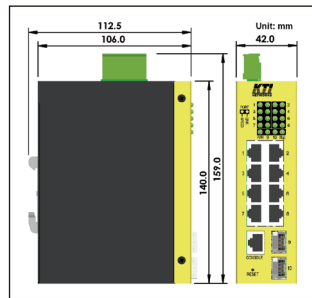
Standard	IEEE 802.3, 802.3ab, 802.3z, 802.3x, 802.3at, 802.1x, 802.1w, 802.1D, 802.1Q
Network Ports	8 10/100/1000Mbps Gigabit copper ports , 2 1G/100Mbps SFP slots
Copper Port	Shielded RJ-45, 10/100/1000Mbps, auto-negotiation, auto-MDI/MDI-X
Mini-GBIC SFP	SFP connector, Interface: 1000BASE-X and 100BASE-FX support
Console	Connector: Shielded RJ-45, Interface: RS-232
Network Cables	10/100/1000Mbps copper: Cat.5, 5e or higher up to 100m 1000Base-X: 62.5/125µm, 50/125µm MM fiber, 9/125µm SM fiber



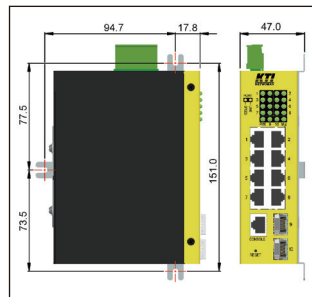
KGS-1060-HP Ports



Din-rail Mount Dimension



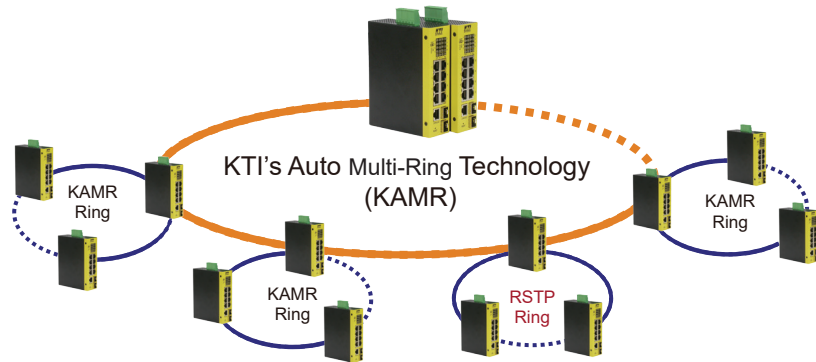
Panel & Wall Mount Dimension



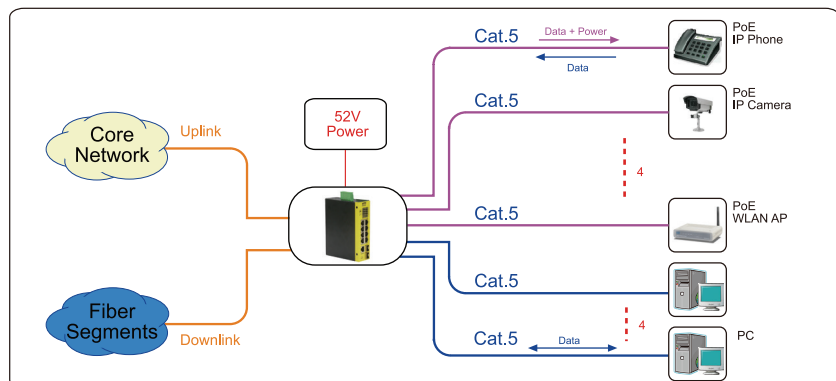
Power over Ethernet	IEEE 802.3at compliant (High power PoE) PSE on Port 1 ~ Port 4 30W max. at port output for Cat.5 distance of 100 meters
MAC Addresses	8K
LED Indication	Per unit: Power, Management status Per port: Speed, link/activity status Per SFP: Speed/link/activity status Per PoE port: PoE status
Relay Output	Alarm: power failure, specific port link fault Interface: 2 terminal contacts (30VDC/1A max. or 120VAC/0.5A max.)
DC Power Input	Screwed terminal block: 2 pairs of +/- contacts Operating voltage range: +7 ~ +60VDC Voltage for PoE support: +45 ~ +57VDC
Powered via PoE	PD port: Port 2 IEEE 802.3af & 802.3at compliant Class 3 (only KGS-1060)
Power Consumption	9W max. (Full load with no PoE support) 130W max. (Full load with 4 PoE+ max. output)
Housing	Enclosed metal with no fan
Dimension	42 x 106 x 140 mm (WxDxH)
Mounting Support	DIN-Rail, Wall, Panel Mounting (Optional)
Environment	Operating Temperature: -40°C ~ 70°C* Storage Temperature: -40°C ~ 85°C Relative Humidity: 5% ~ 95% non-condensing
Approval	FCC Class A, VCCI Class A, CE mark Class A, IEC 60950-1 safety EN 61000-6-4 emission, EN 61000-3-2, EN 61000-3-3, EN 61000-6-2 Immunity for industrial environment, IEC 60068-2-64 Vibration, IEC 60068-2-27 Shock 50G test, NEMA TS2 environment

*60°C ~ 70°C with 1m/s air flow

Multiple Redundant Rings:



Application:



Katron Technologies Inc.
15F-7, No. 79, Sec. 1, Hsin Tai Wu Rd.,
Hsi-chih District, New Taipei City, Taiwan
Tel: 886-2-2698-3878
Fax: 886-2-2698-3873
E-mail: kti@ktinet.com.tw
URL: http://www.ktinet.com.tw

Trademarks: All brand names are trademarks or registered trademarks of their respective holders. This information is subject to change without prior notice.