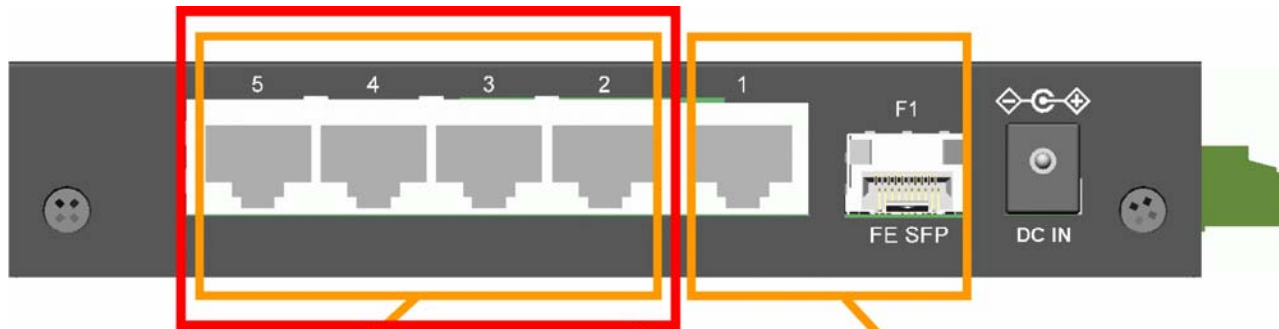


KSD-541-P / KSD-541

*Industrial 5-Ports Fast Ethernet Switches
with SFP Slot and optional 4 PoE PSE Ports*



Specifications



Copper Ports

- 10/100 Mbps RJ-45 support
- Auto-negotiation, Auto-MDI/MDI-X

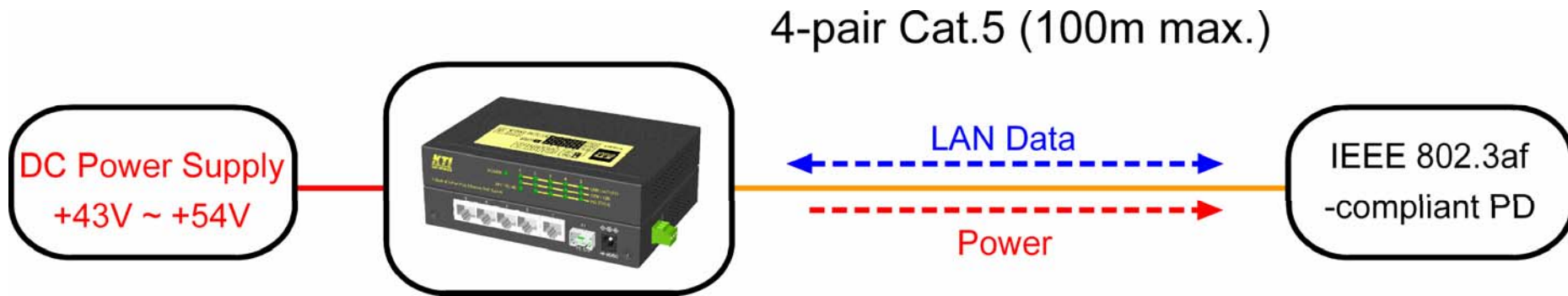
Fiber Port (combo with RJ-45)

- 100 Mbps SFP support
- Far End Fault

PSE Ports (KSD-541-P only)

- Power delivery 15.4W max.

Advantage 1: Power over Ethernet



Four IEEE 802.3af-compliant PoE PSE ports

Advantage 2: SFP Flexibility



Fiber Options

- Easy migration
- Easy upgrade
- Easy maintenance

Benefit 1: Power Interfaces



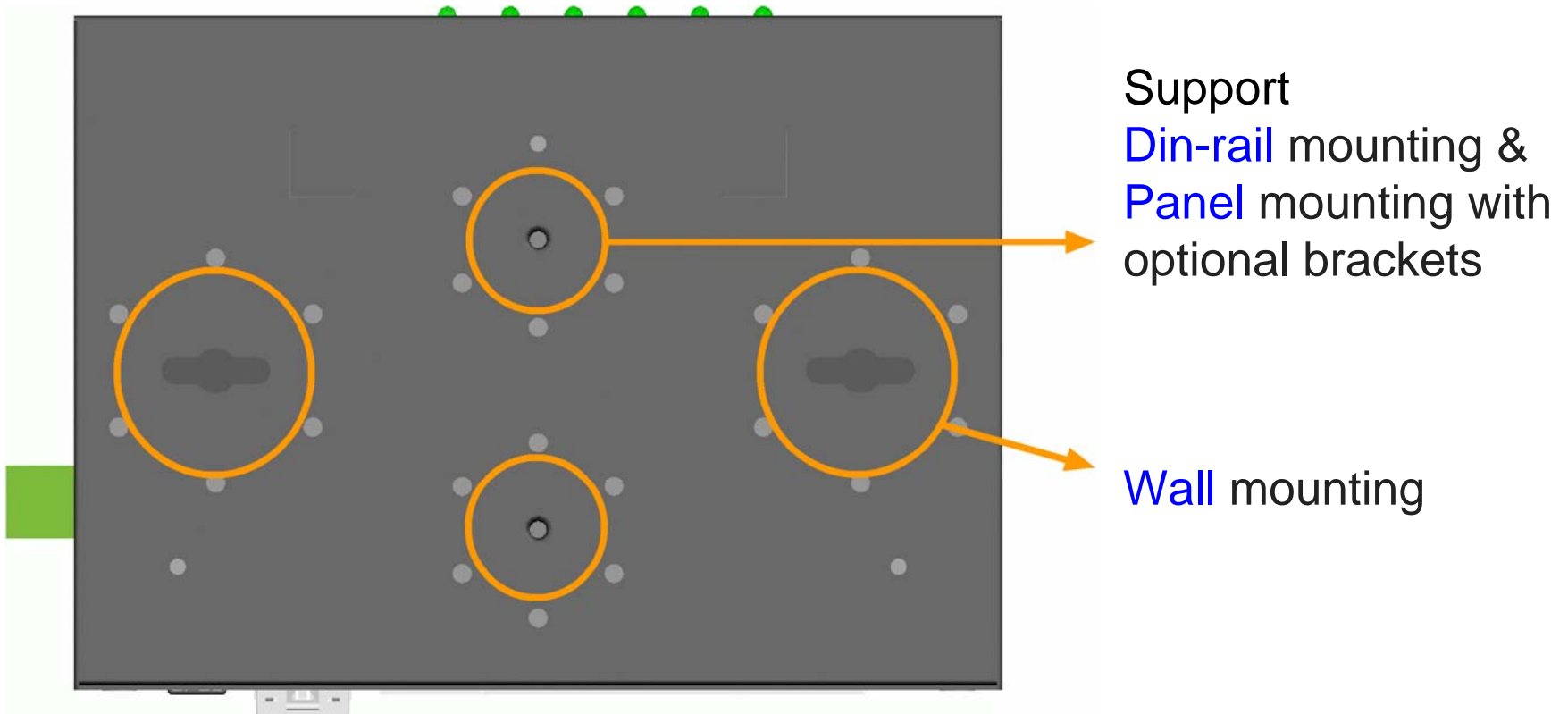
Terminal Block

Support industrial power system

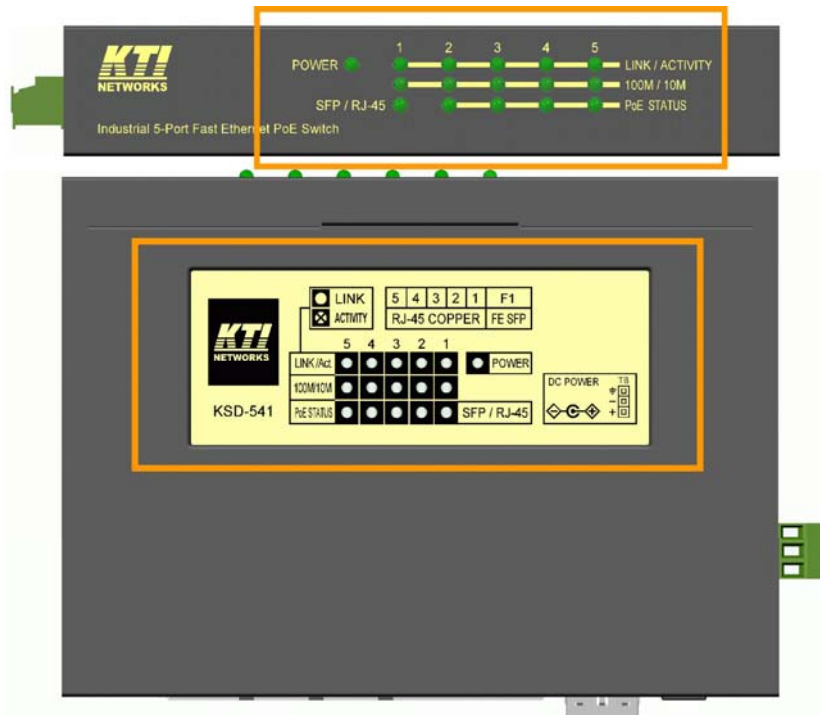
DC-Jack

Support AC-DC adapter type power

Benefit 2: Mounting Flexibility



Benefit 3: Two LED Indications



Support status indication for different mounting methods

Benefit 4: Industrial Features

High and Wide Operating Temperature

Typical -20°C ~ 70°C

Industrial Power Interface

Industrial screw terminal block and DC-Jack

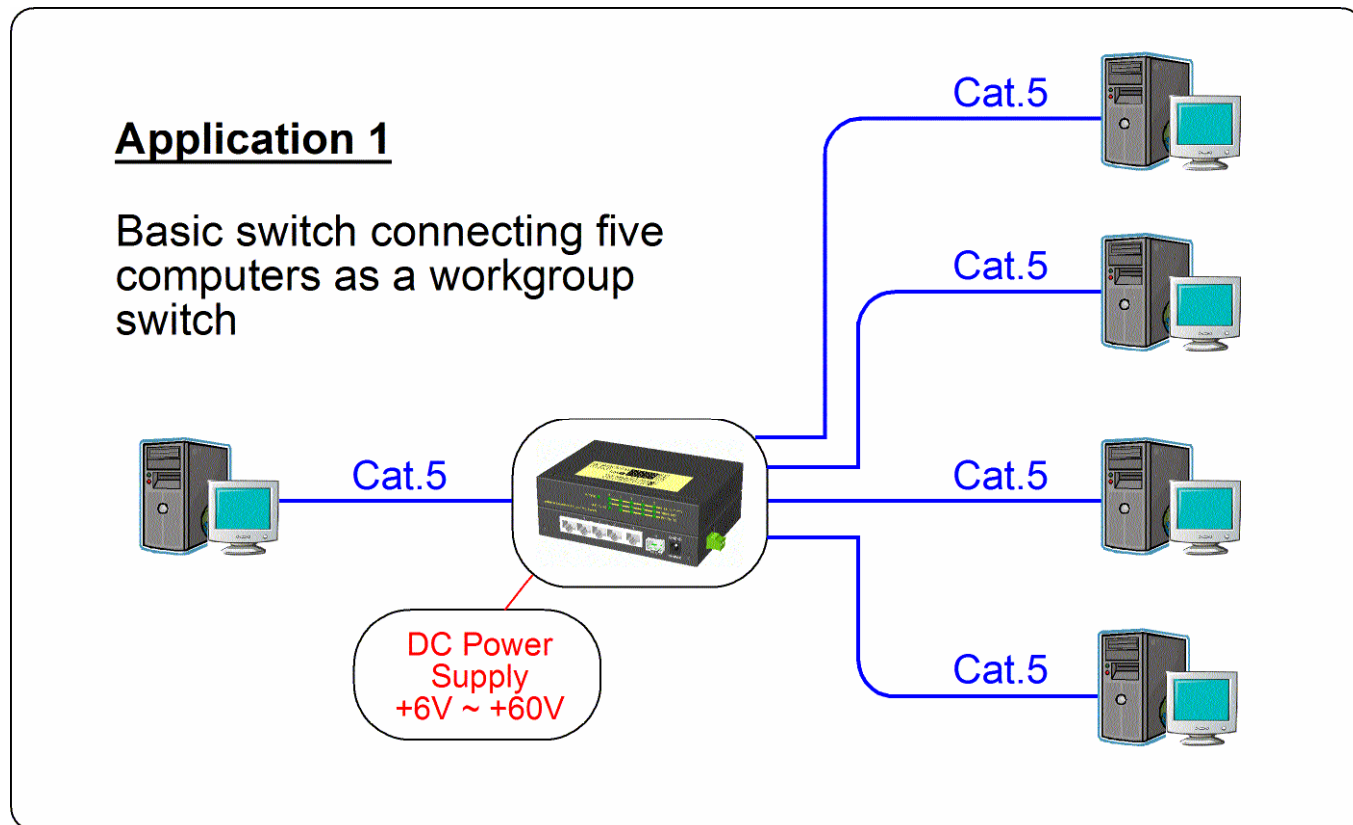
Industrial Mounting Support

Din-rail mounting, Panel mounting, Wall mounting, Desktop mounting

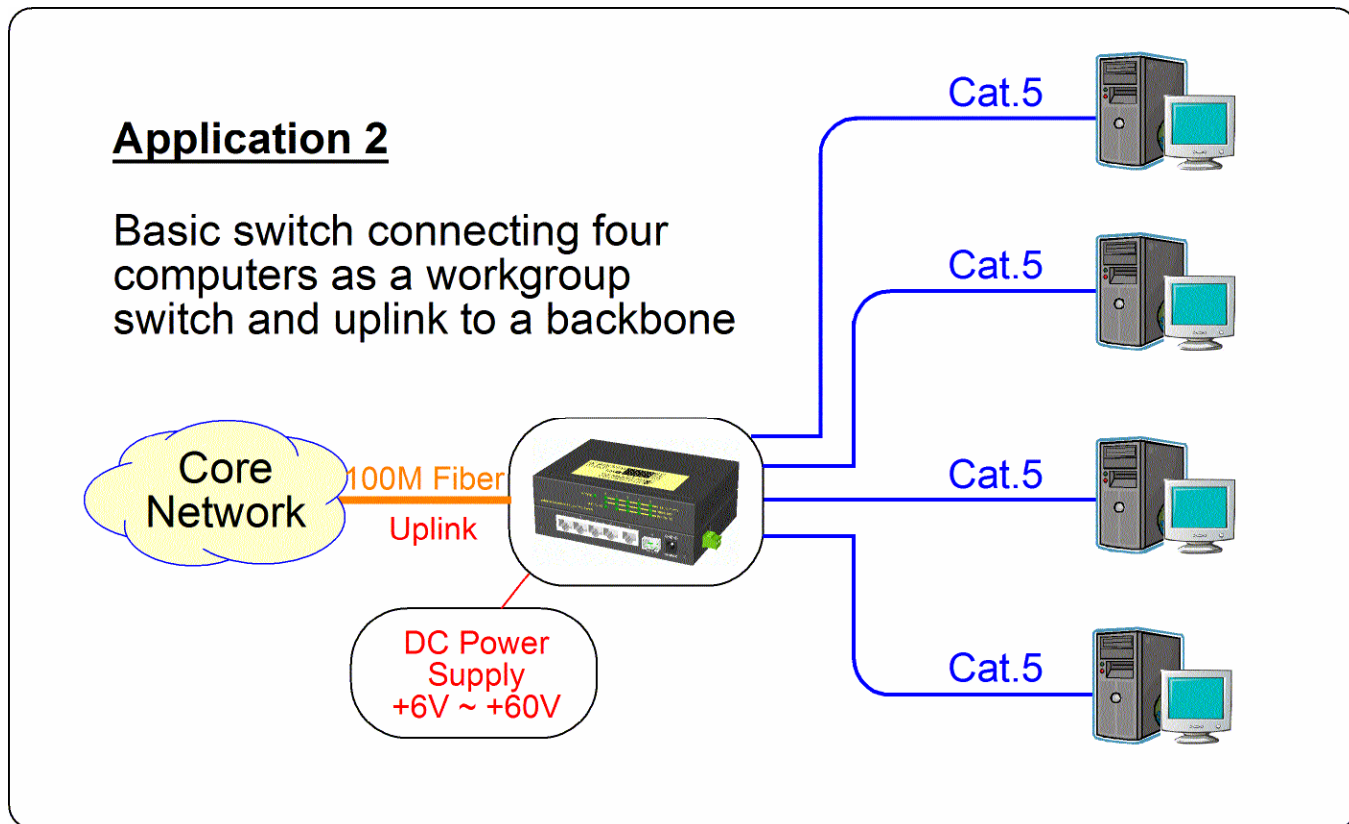
EMC & EMI

Industrial-rated Emission and Immunity performance

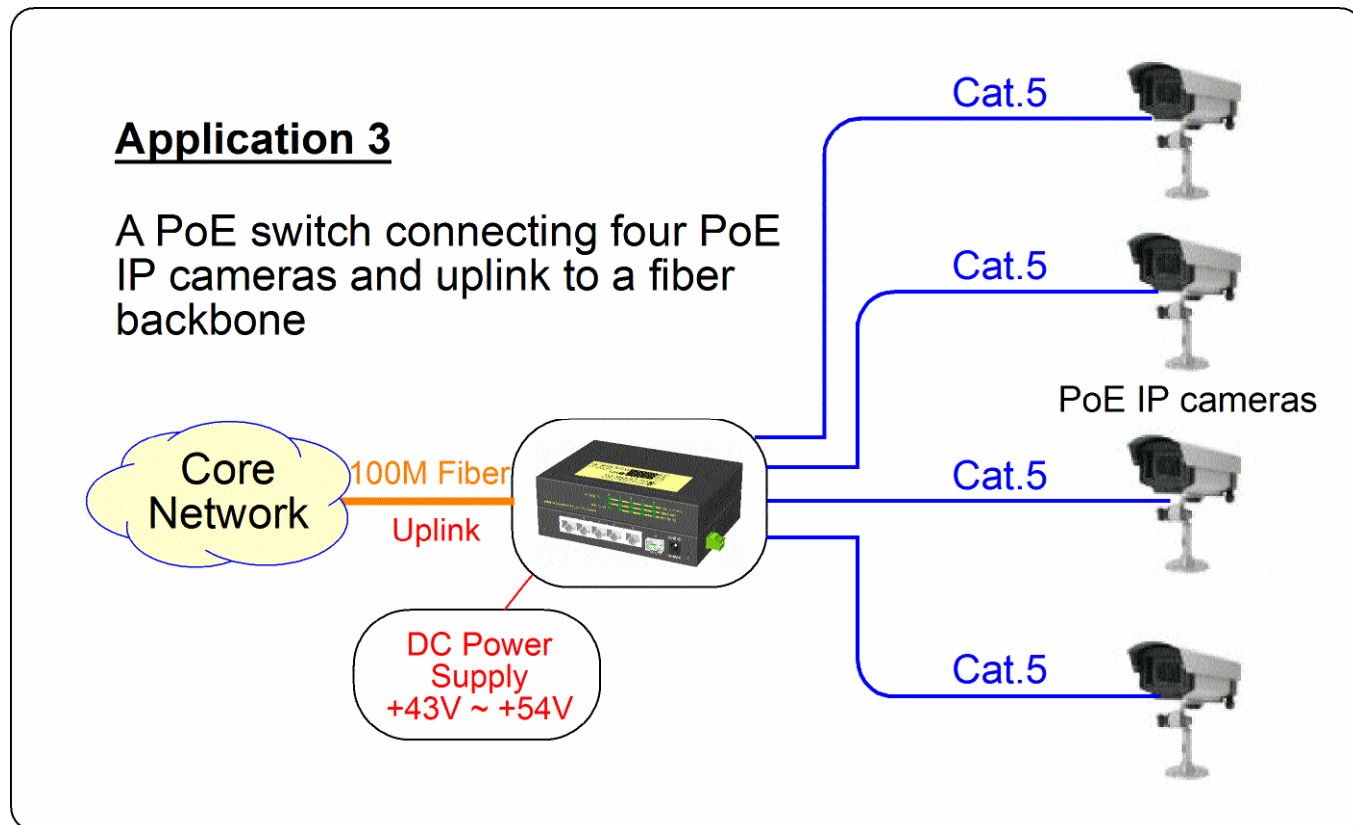
Basic Switch Connection



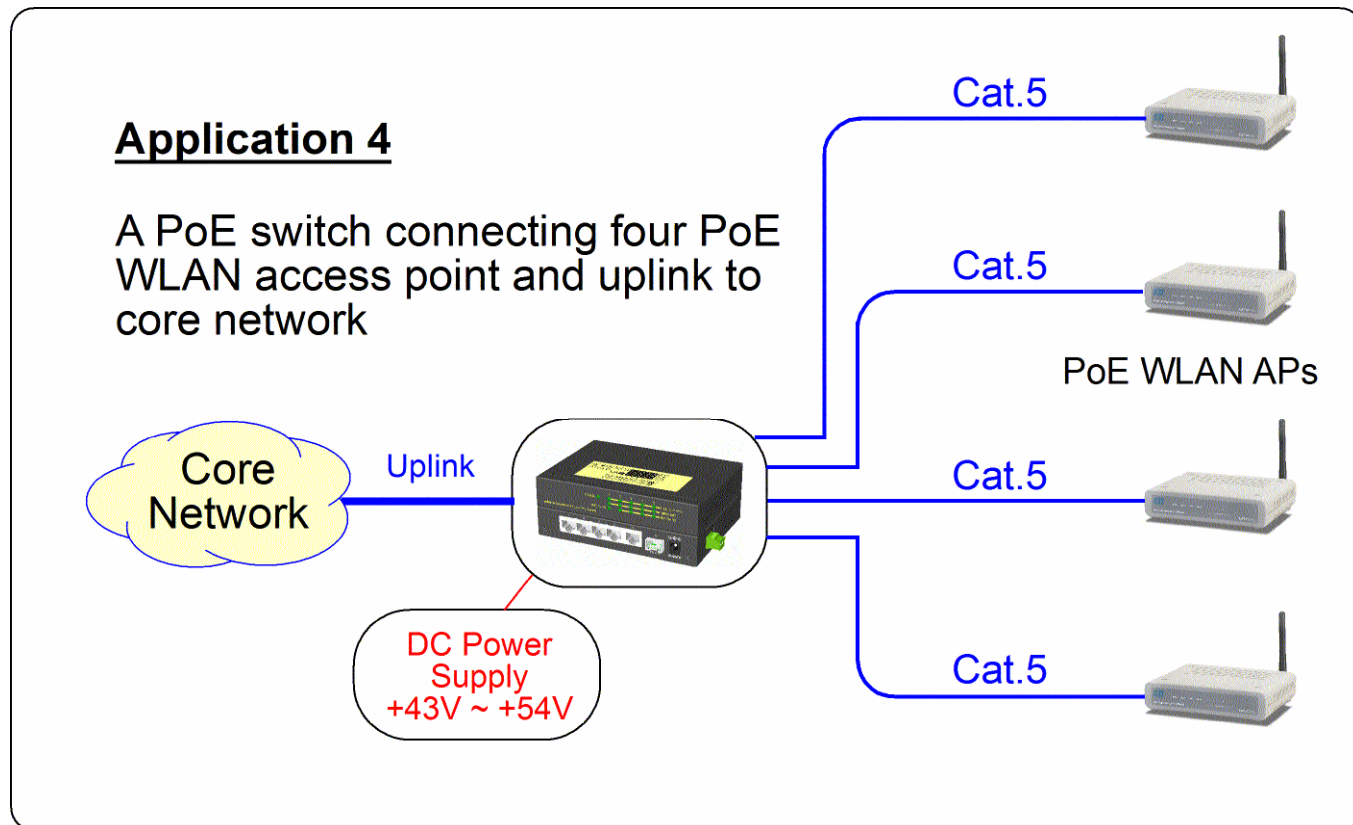
Basic Connection & Fiber Uplink



PoE for IP Camera



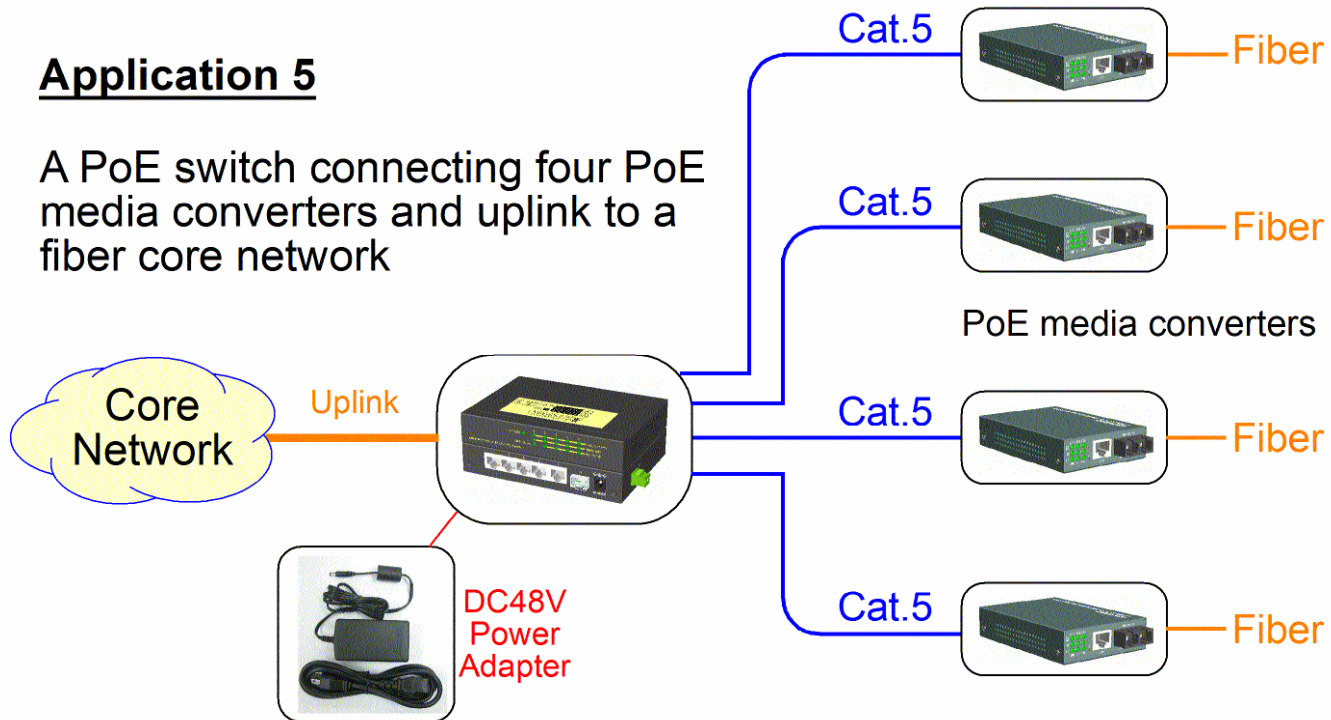
PoE for WLAN



PoE for Media Converter

Application 5

A PoE switch connecting four PoE media converters and uplink to a fiber core network



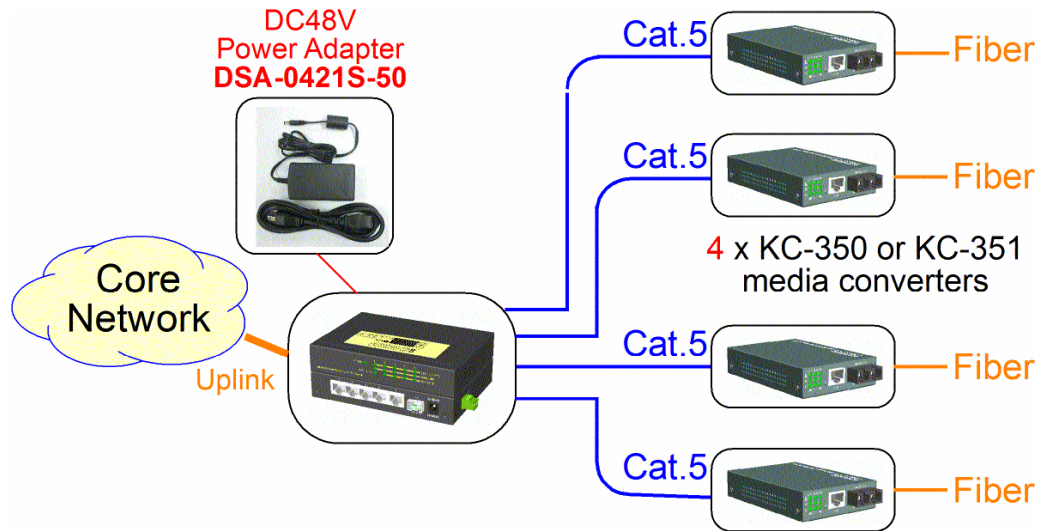
Application Note 1:

Recommended Power

Item Power	Type	Vendor	KSD-541 Interface	Rated Input Voltage	Rated Output Voltage	Rated Power	Application	Working Temp. (100% power)	De-rating
SA106C-09S	Power Adapter	KTI	DC-Jack	100-240V	7.5V	3.75W	Non-PoE	0~40°C	None
DSA-0421S-50	Power Adapter	KTI	DC-Jack	100-240V	48V	24W	PoE	0~40°C	None
DR-7548	Din-Rail Power Supply	Meanwell	Terminator Block	90-264V	48V	76.8W	PoE	100% @-10~50°C	60%@60°C
MDR-6048	Din-Rail Power Supply	Meanwell	Terminator Block	90-264V	48V	60W	PoE	100% @-20~55°C	60%@70°C
MDR-10048	Din-Rail Power Supply	Meanwell	Terminator Block	85-264V	48V	96W	PoE	100% @-20~50°C	50%@70°C

De-rating: The power output efficiency is declined under the specified working temperature.

Application Note 2: Recommended PoE Media Converters



KC-350

PoE Powered 10/100BASE-TX to 100BASE-FX Media Converters



KC-351

PoE Powered 10/100BASE-TX to 100BASE-FX Media Converters