

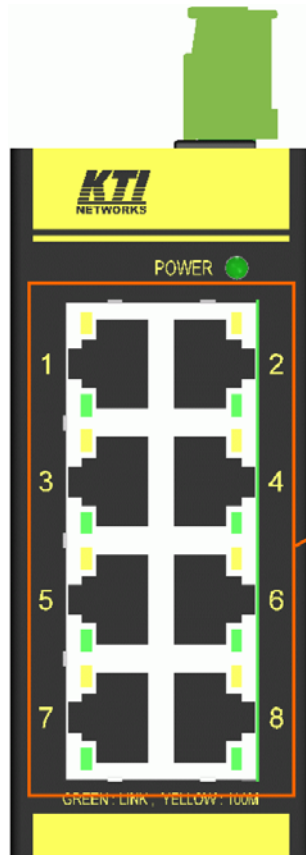
KFS-0840

Industrial 8-Port Fast Ethernet Switch



KFS-0840

Specifications



Ports

- 8 10/100 Mbps RJ-45 support
- Auto-negotiation
- Auto-MDI/MDI-X

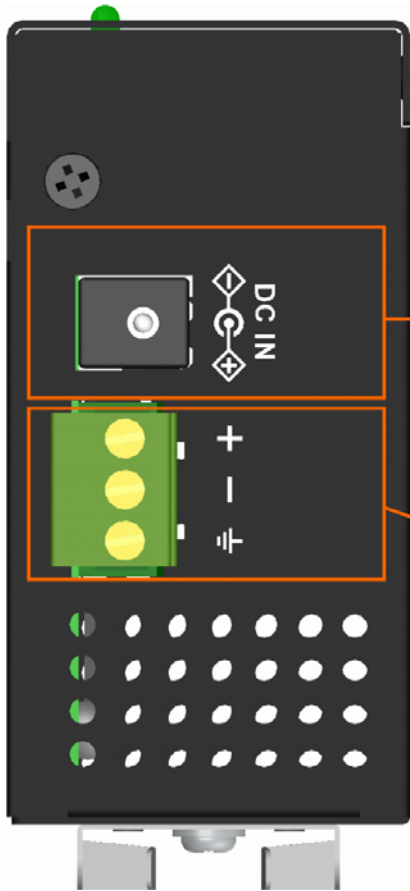
Advantage : Switch Functions



All in one Compact Box

- Full wire speed, Store and forward
- IEEE 802.3x flow control
- Storm control
- Max. packet length 1536 bytes
- Power saving mode for port link down

Benefit 1: Power Interfaces



DC-Jack

Support AC-DC adapter type power

Terminal block

Support industrial power system

Benefit 2: Mounting Flexibility

Din-Rail Mounting



Panel Mounting



Benefit 3: Industrial Design

Wide Operating Temperature Range

Typical -10°C ~ 70°C

Wide Operating Voltage Range

+7 ~ +30VDC

Industrial Power Interfaces

Industrial screw terminal block and DC-Jack

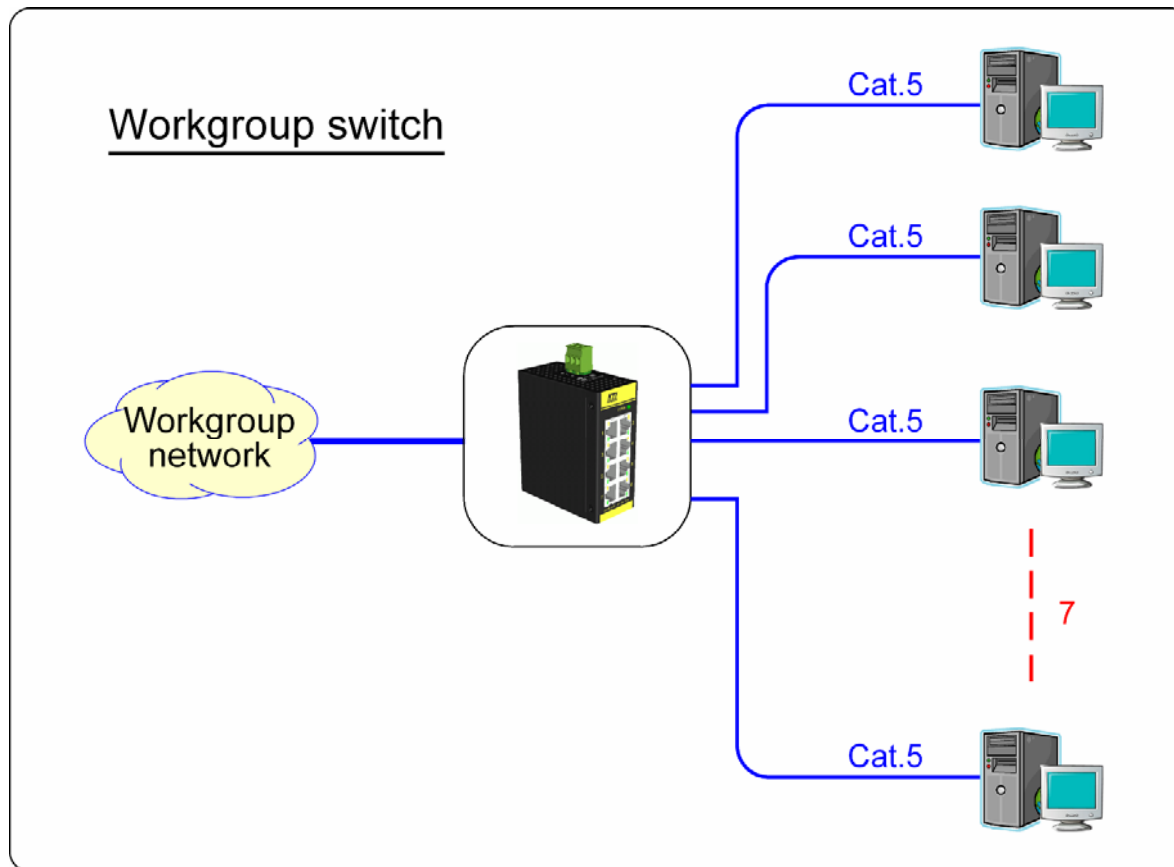
Industrial Mounting Support

Din-rail mounting, Panel mounting, Desktop mounting

EMC & EMI

Industrial-rated Emission and Immunity performance

Application : Workgroup Switch



Application Note : Recommended Power

KTI's Power Supply Solutions for KFS-0540 and KFS-0840

Power Supply Specification

Item Power	Type	AC Input	Output Interface	Rated Input Voltage	Rated Output Voltage	Rated Power	Working Temp. (100% power)
KPW-1212-H-U	Adapter	US Type Plug	DC-Jack	100-240V	12V	12W	100%@-10~60°C
KPW-1212-H-V	Adapter	EU Type Plug	DC-Jack	100-240V	12V	12W	100%@-10~60°C
KPW-2012-D-E	Din-Rail	Terminal Block or IEC 320	Terminal Block or DC Jack	100-240V	12V	21.6W	100%@-20~60°C