



KSC-361



Industrial Ethernet to Serial Media Converters

Product Highlights:

- 10/100BASE-TX, 100BASE-FX support
- RS-232, RS-422/485 options
- Web, console managed
- Isolated serial interface
- Forwarding throughput up to 230Kbps
- PoE enabled

Ordering Information:

Model	Description
KSC-361-S2	Converter with RS-232 serial interface
KSC-361-S4	Converter with RS-422/485 serial interface

Optional Accessories:

Panel Mounting Bracket
PMB-0540



The converter provides a serial interface and an Ethernet interface. It packs and forwards the data stream between two interfaces. For flexibility, the Ethernet interface is equipped to support 10BASE-T, 100BASE-TX or 100BASE-FX physical connection for most of LAN requirement. Regarding to serial interface, two different models are offered alternatively for most serial applications. One model supports RS-232 interface and the other supports RS-422/RS-485 interface.

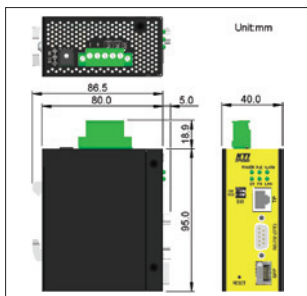
In terms of applications, the converter can be a distance extender for two serial devices cross a LAN topology. For a personal computer, the converter can serve as a remote COM port for the computer in a LAN to support most existing serial application software. For IP network, the converter can also serve as a serial server for serial devices attached to it over the network. With functional diversity and industrial design, the converters can be the ideal choice to extend the application range of the serial devices.

Key Features:

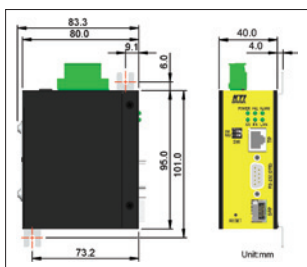
- Ethernet interface provides combo port of 10/100Mbps copper RJ-45 and 100M fiber SFP slot.
- Serial interface provides two options, RS-232 and RS-422/485.
- Serial port supports baud-rate up to 230400bps.
- Galvanic isolation on serial interface
- Data conversion throughput up to 230Kbps
- Wide range of direct power voltage support, DC 8V-60V
- Powered over Ethernet through RJ-45 interface (PoE-enabled)
- Alarm relay output for power failure, port link down and failure in connecting to server
- Application support for remote COM port, serial server over TCP, reverse telnet, pair connection, and serial broadcast
- Remote COM driver support for Windows PC
- Web-based and serial-based console configuration
- Event notification over SMTP and SNMP traps

Specifications:

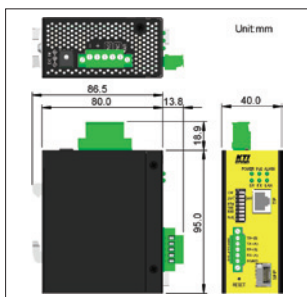
Standard	IEEE 802.3, 802.3u, 802.3x, 802.3af
Copper Port	Shielded RJ-45, 10BASE-T/100BASE-TX, Auto negotiation, auto-MDI/MDI-X support
SFP Slot	100BASE-FX SFP connector
Network Cables	10BASE-T/100BASE-TX: Cat.5 or better up to 100m 100BASE-FX: 62.5/125µm, 50/125µm MM fiber, 9/125µm SM fiber
RS-232 Interface	DTE Male DB9, Baud-rate up to 230K, Galvanic isolated
RS-422/485 Interface	EIA-422/485 std., Flange terminal block 5P, Data rate up to 230K, Galvanic isolated
LED Indication	Power, PoE status, Alarm status LAN port link/activity, SFP selected, Serial port activity
Relay Output	Alarm events: power failure, LAN port link fault, Failure in connecting to server, Interface: 3 contacts supporting NC & NO logic
DC Power Input	Flange terminal block: DC +/- contacts Voltage input range: +8 ~ +60VDC



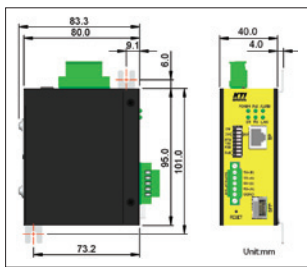
KSC-361-S2 DIN-Rail Dimension



KSC-361-S2 Panel Dimension



KSC-361-S4 DIN-Rail Dimension

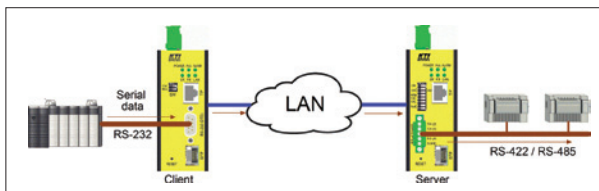


KSC-361-S4 Panel Dimension

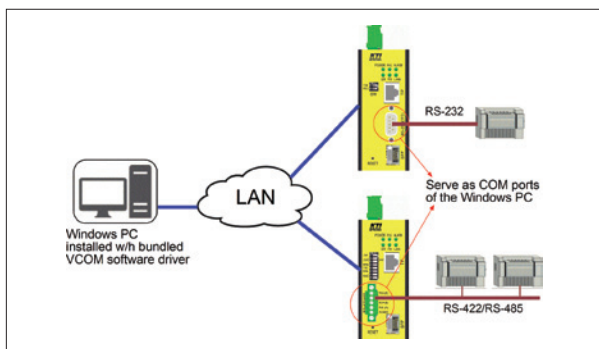
DC Power Jack	Jack (-D6.3mm/+D2.0mm) for external AC-DC power adapter Voltage input range: +8 ~ +30VDC
Power over Ethernet	IEEE 802.3af PD, Class 1, Input over RJ-45 Voltage input range: +36 ~ +57VDC
Power Consumption	2W max. @24V, 3W max. @48V via PoE
Housing	Enclosed metal with no fan
Dimension	40 x 80 x 95 mm (Case WxDxH)
Mounting Support	DIN-Rail, Panel Mounting (Optional)
Environment	Operating Temperature: -30°C ~ 70°C Storage Temperature: -40°C ~ 85°C Relative Humidity: 5% ~ 90% non-condensing

Approval	FCC Class A, VCCI Class A, CE mark Class A, EN60950-1 safety EN61000-6-4 emission, EN61000-3-2, EN61000-3-3 EN61000-6-2 Immunity for industrial environment IEC 60068-2-64 Vibration, IEC 60068-2-27 shock 50G test
----------	--

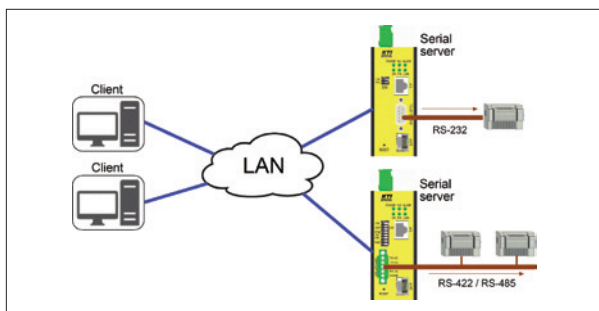
Applications:



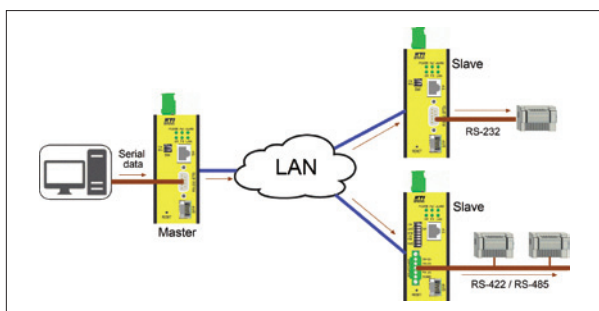
Pair Connection



Remote COM



Serial Server, Reverse telnet



Serial Broadcasting



Katron Technologies Inc.
15F-7, No. 79, Sec. 1, Hsin Tai Wu Rd.,
Hsi-chih District, New Taipei City, Taiwan
Tel: 886-2-2698-3878
Fax: 886-2-2698-3873
E-mail: kti@ktinet.com.tw
URL: http://www.ktinet.com.tw

Trademarks: All brand names are trademarks or registered trademarks of their respective holders. This information is subject to change without prior notice.