



KFS-2621



Web Smart 24-Port 10/100 L2 Fast Ethernet Switches with 2 Gigabit Combo Ports

Product Highlights:

- 24 FE 10/100 ports
- 2 GbE combo ports
- 2 GbE SFP for fiber
- Web managed
- 802.1Q VLAN and QoS
- Port bandwidth control
- STP / RSTP support
- LACP trunking
- IGMP snooping
- DC power option

DC Power



19" Rack Mountable



Key Features:

- Provide 24 10/100Mbps Fast Ethernet ports & 2 Gigabit combo ports
- All copper ports support auto-negotiation and auto-MDI/MDI-X detection
- Wire speed reception and transmission
- Supports 802.3x flow control for full-duplex and backpressure for half-duplex
- Store-and-Forward switching method
- Self learning for active MAC addresses up to 4K entries
- Provide in-band web-based management interface
- Provide port status, statistic monitoring and control function
- Provide port bandwidth control function
- Provide static and LACP port link aggregation function
- Support port-based and 802.1Q Tag-based VLAN
- Provide QoS function
- Support 802.1w RSTP and 802.1D STP
- Provide IGMP snooping function
- Support DHCP for dynamic IP configuration
- 19" rack mountable
- No fan design
- Wide operating temperature range

Specifications:

Standards	IEEE 802.3 10Base-T, IEEE 802.3u 100Base-TX, IEEE 802.3z 1000Base-T IEEE 802.3ab, IEEE 802.1Q, IEEE 802.1p
FE 10/100 Ports	Port 1 - 24, Shielded RJ-45 with auto MDI/MDI-X detection
Gigabit Ports	Combo Port 25, 26, each with: - Shielded RJ-45 with 10/100/1000Mbps, auto MDI/MDI-X detection - SFP slot for mini-GBIC fiber transceiver
Network Cables	10Base-T: Cat. 3, 4, 5 UTP or higher up to 100m 100Base-TX: Cat. 5 UTP or higher up to 100m 1000Base-T: Cat. 5, 5e UTP or higher up to 100m 1000Base-X: 62.5/125µm, 50/125µm MM fiber, 9/125µm SM fiber
MAC Address Table	4K entries
LEDs	Per unit: Power, Mngt Per copper port: Link/ACT, and speed Per fiber port: Link
Web Management	Web browser software System settings, port status/statistics, port control, VLAN, QoS, Link aggregation, port mirroring, port bandwidth control, IGMP snooping, TCP/UDP filtering, Static MAC address filtering Firmware upgrade, STP/RSTP, Configuration backup and restore



Ordering Informations:

KFS-2621-S

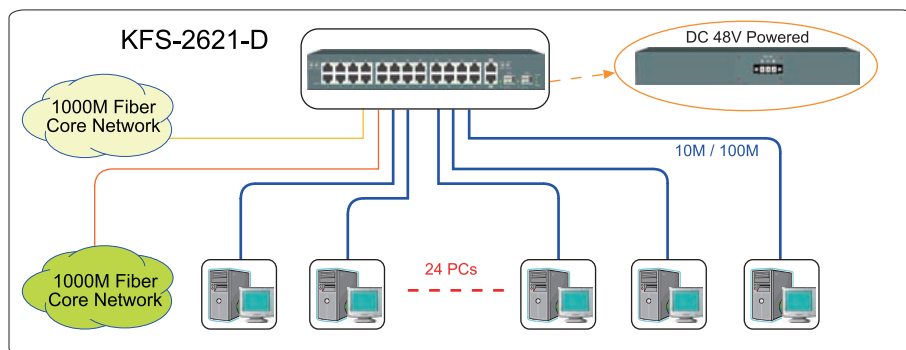
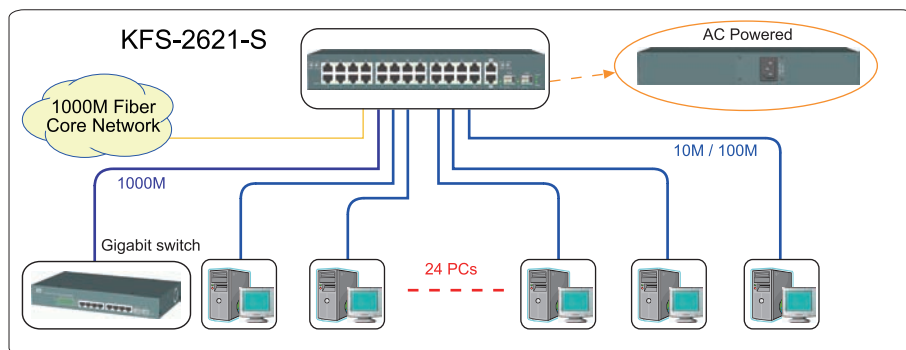
Web Smart 24-Port 10/100 L2 Fast Ethernet Switch with AC power

KFS-2621-D

Web Smart 24-Port 10/100 L2 Fast Ethernet Switch with DC power

Housing	Enclosed metal with no fan
Dimension	295 x 160 x 43 mm (WxDxH)
Mounting Support	19" rack mountable
AC Power Input	IEC320 receptacle Operating voltage range: +100 ~ 240VAC
DC Power Input	Screw type terminal block Operating voltage range: +36 ~ +72VDC
Power Consumption	20W max.
Environment	Operating Temperature: -20°C ~ 60°C Storage Temperature: -30°C ~ 85°C Relative Humidity: 10% ~ 90% non-condensing
Approval	FCC Class A, CE mark Class A, LVD, IEC 60950-1

Applications:



FCC Part 15, Class A
CISPR 22 Class A

Katron Technologies Inc.

15F-7, No. 79, Sec. 1, Hsin Tai Wu Rd.,
Hsi-chih District, New Taipei City, Taiwan
Tel: 886-2-2698-3878
Fax: 886-2-2698-3873
E-mail: kti@ktinet.com.tw
URL: http://www.ktinet.com.tw

KTI Networks Inc.

10415-A Westpark Drive, Houston,
TX 77042. U.S.A.
Tel: 1-713-266-3891
Fax: 1-713-914-0555
E-mail: contact@ktinet.com
URL: http://www.ktinet.com

Trademarks: All brand names are trademarks or registered trademarks of their respective holders.
This information is subject to change without prior notice.