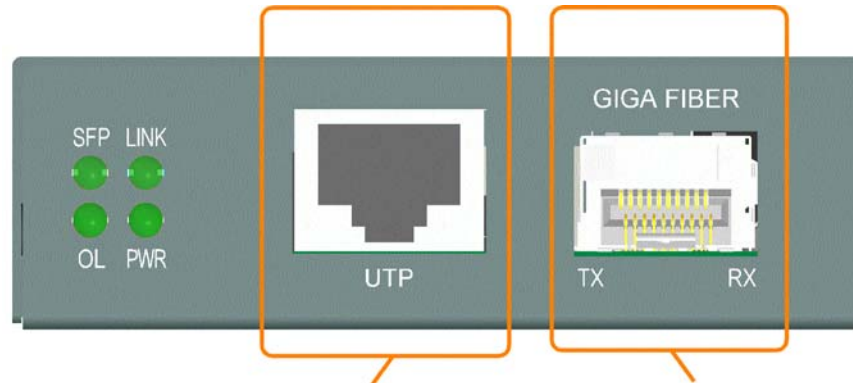


Media Conversion



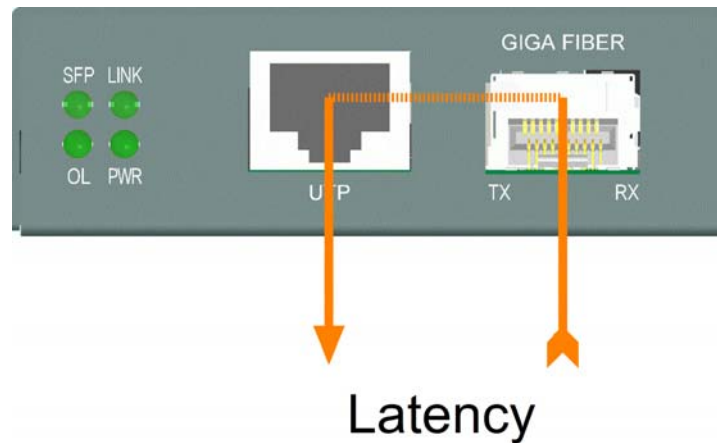
Copper Port (RJ-45)

Fiber Port (SFP)

- 1000BASE-T
- Cat.5 or better

- 1000BASE-SX/LX
- Duplex MMF
- Duplex SMF
- Bi-Di single fiber
- CWDM

Benefit 1: Direct Conversion



- No bridging conversion
- Direct conversion
- The least latency

Benefit 2: SFP Flexibility



Fiber Options

- Easy migration
- Easy upgrade
- Easy maintenance

Benefit 3: Three Power Methods



Power over Cat.5
(IEEE 802.3af PoE)



Power via typical
AC power adapter



Powered by USB
via USB-to-DC cable

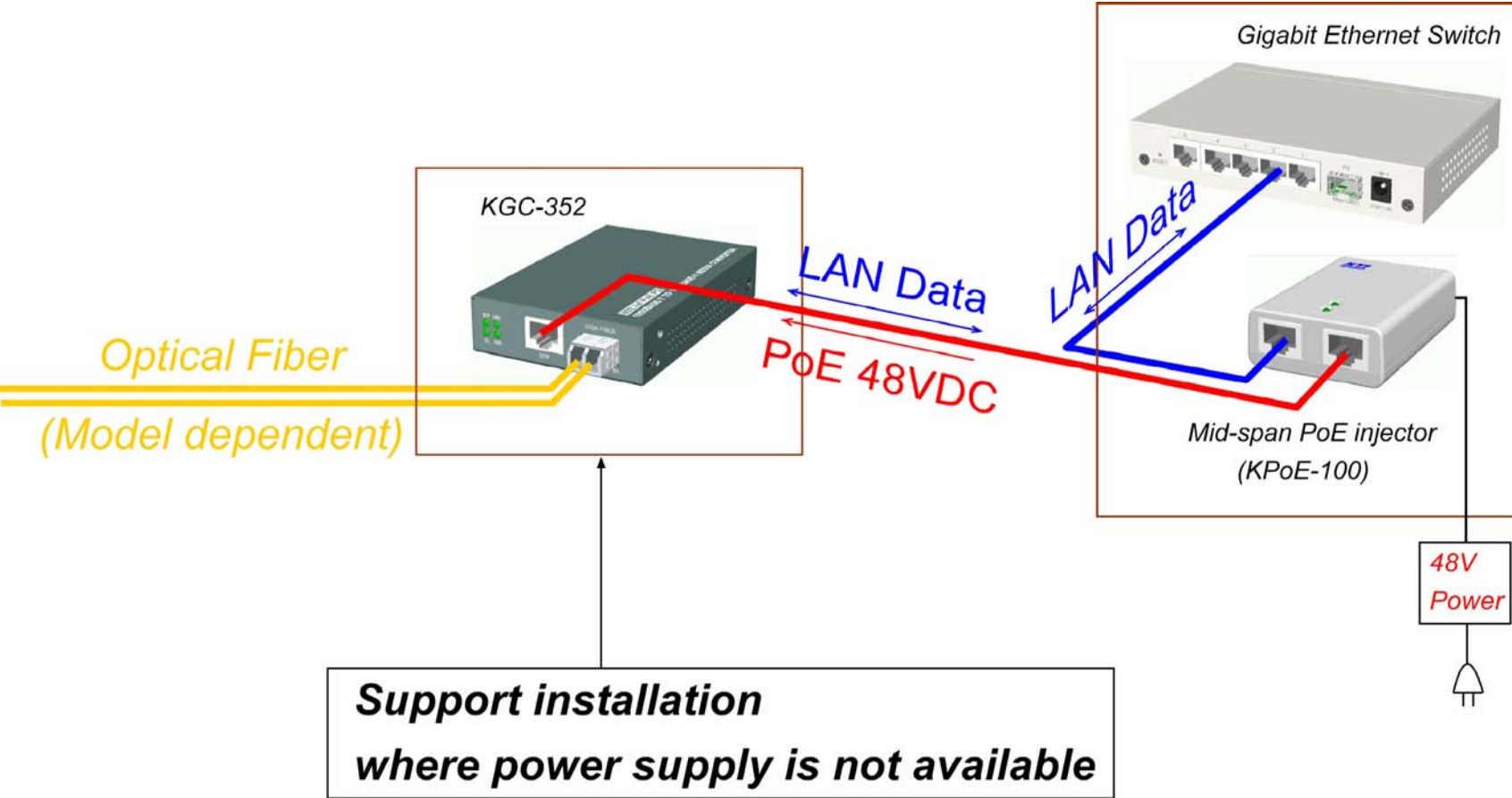


Benefit 4: IEEE Standard PoE

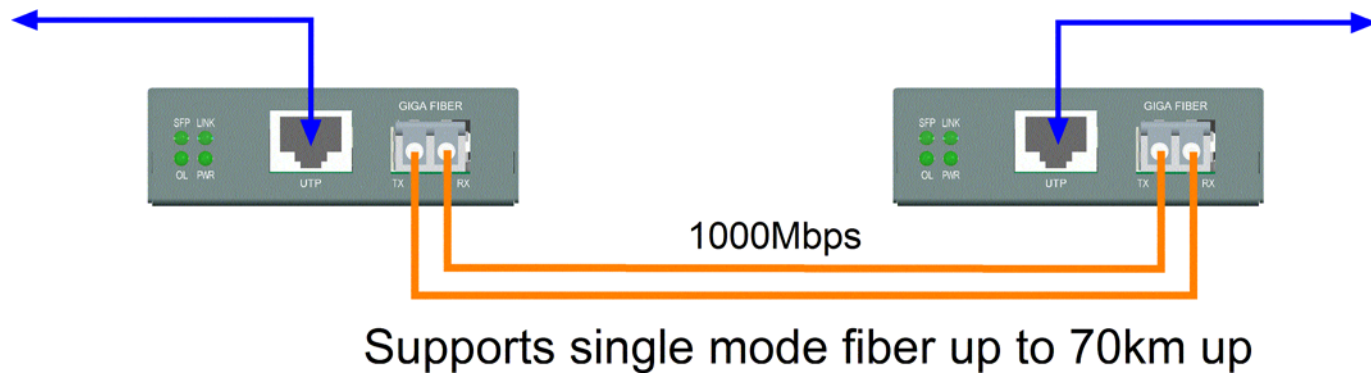


- IEEE 802.3af compliant
- Drawing power from all pairs on Cat.5
- Class 1 power classification
- Inter-operability guaranteed
- Operation safety guaranteed

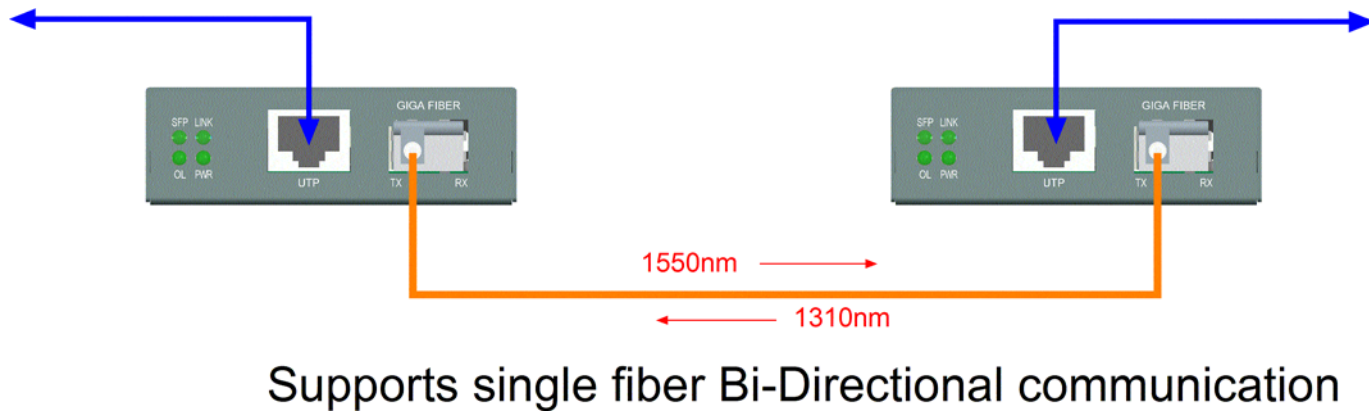
Application 1: PoE Installation



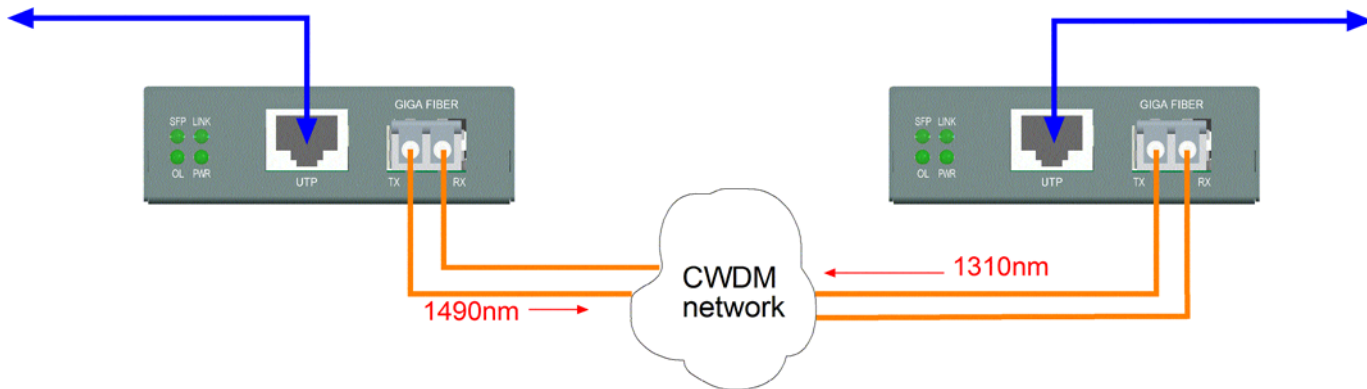
Application 2: Long Reach SMF



Application 3: Bi-Di Single Fiber



Application 4: CWDM



Supports CWDM communication (optional)