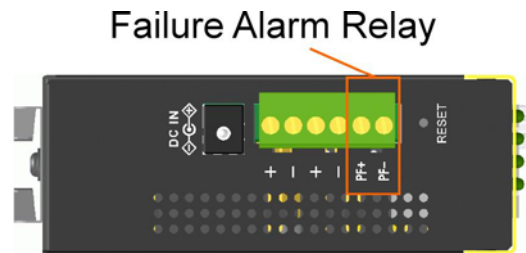


Application Note

Failure Relay Output on KGD-802 / KGD-802-P

2012/01/12

The switch provides a relay output to report failure events to a remote alarm monitoring system. The relay output is provided with two contacts, named PF+ and PF- on the terminal block next DC2 interface.



Use the provided 2P terminal plug for signal wiring and plugging into the PF+/- contacts. The function was designed as:

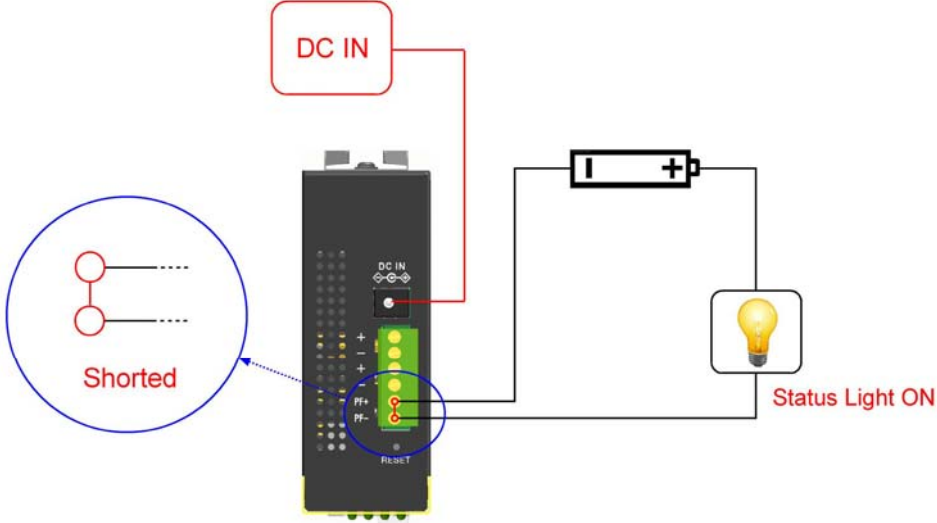
Alarm Events:

- Input DC power failure
- Specific port link down (The specific ports can be configured by software.)

Normal state: PF+ and PF- is shorted

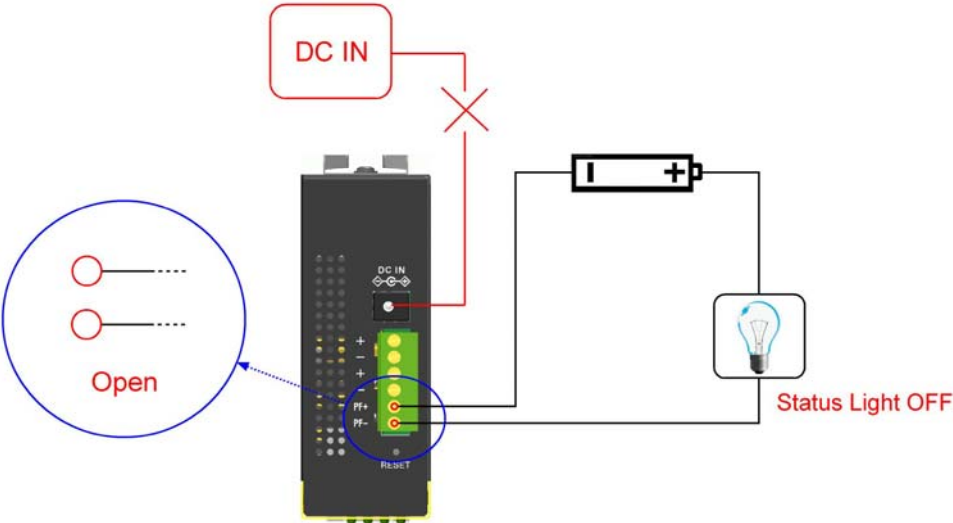
Alarm state: PF+ and PF- is open

Input power failure:



DC power input is normal

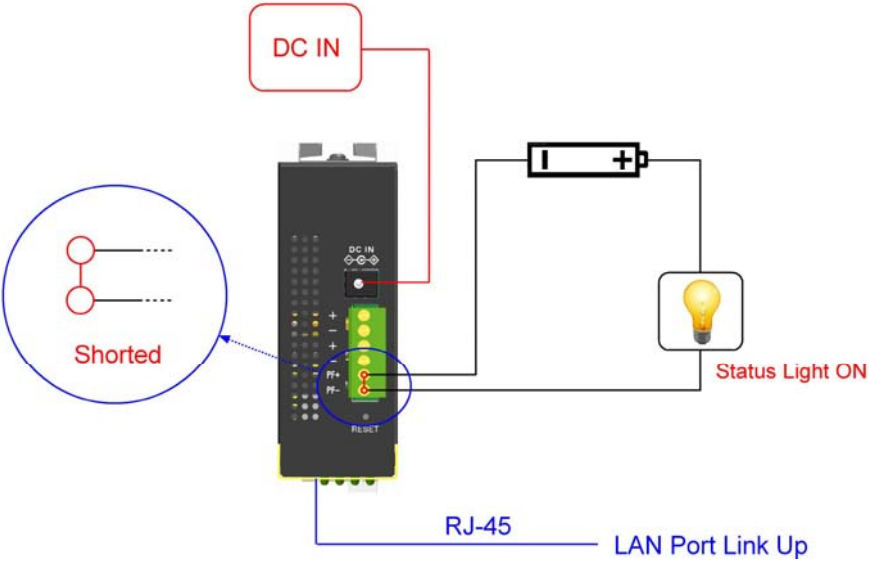
The contact PF+ and PF- are connected (shorted) inside the switch under normal state.



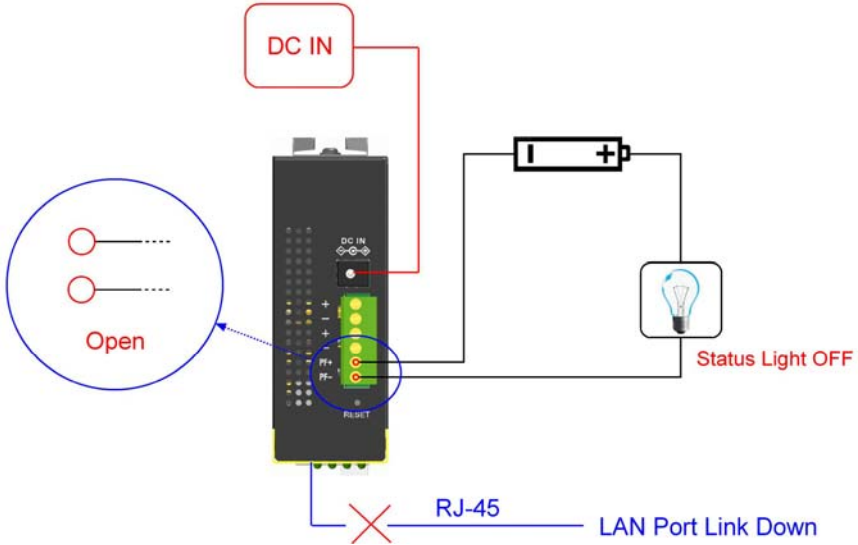
Event: DC Power failure

The contact PF+ and PF- are disconnected (open) immediately upon the alarm event occurs.

Specific port link down (Port link alarm function is enabled by software):



Normal port link up (No alarm event occurs)



Event: Port link down

Note:

Be sure the voltage applied on PF+/- contacts is within the specification of 30VDC/1A max. or 120VAC/0.5A max.